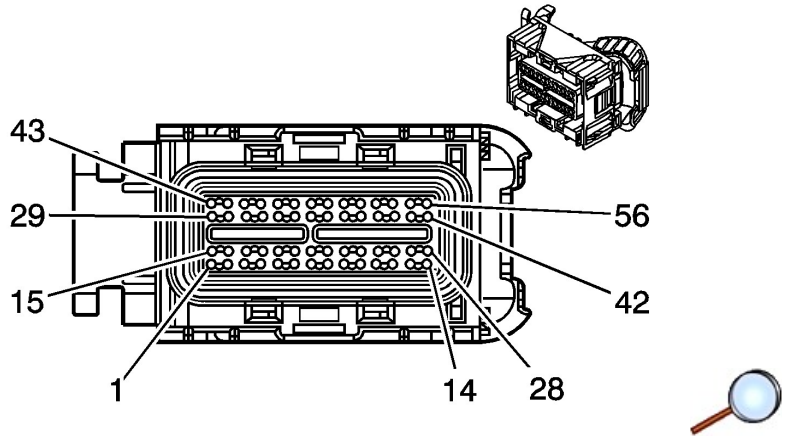


Powertrain Control Module (PCM) C1



Connector Part Information

- **OEM: 15452125**
- **Service: See Catalog**
- **56-Way F Micro 64 Sealed (BU)**

Pin	Wire Color	Circuit No.	Function
1	TN/BK	2500	High Speed GMLAN Serial Data (+) (1)
2	TN	2501	High Speed GMLAN Serial Data (-) (1)
3-5	—	—	Not Used
6	D-GN/WH	459	A/C Compressor Clutch Relay Control
7	BN	1271	Accelerator Pedal Position Low Reference (1)
8	PU	1272	Accelerator Pedal Position Low Reference (2)
9	—	—	Not Used
10	D-BU	473	High Speed Cooling Fan Relay Control
11	—	—	Not Used
12	PU	1589	Primary Fuel Level Sensor Signal
13	PK/BK	5293	Engine Main Relay Fused Control (4)
14	L-BU	6118	Manifold Air Temperature Sensor Signal
15	—	—	Not Used
16	D-GN	1049	ECM/PCM/VCM Class 2 Serial Data
17	GY	2700	A/C Pressure Sensor 5-Volt Reference
18	BN	4	Accessory Voltage
19	PK/BK	1039	Run/Crank Ignition 1 Voltage
20	RD/WH	840	Battery Positive Voltage
21	—	—	Not Used

22	WH	1310	EVAP Canister Vent Solenoid Control
23	—	—	Not Used
24	D-GN	890	Fuel Tank Pressure Sensor Signal
25	—	—	Not Used
26	OG/BK	380	A/C Refrigerant Pressure Sensor Signal
27	D-BU	1161	Accelerator Pedal Position Signal (1)
28	—	—	Not Used
29	TN	2759	Fuel Tank Pressure Sensor Low Reference
30	WH/BK	1164	Accelerator Pedal Position 5-Volt Reference (1)
31	—	—	Not Used
32	L-BU	20	Stop Lamp Supply Voltage
33	—	—	Not Used
34	PK	2014	Coolant Pump Relay Coil Control
35-36	—	—	Not Used
37	D-GN/WH	465	Fuel Pump Primary Relay Control
38	BN	5069	Engine Main Relay Coil Control
39	—	—	Not Used
40	BN/WH	419	Check Engine Indicator Control
41	L-BU	1162	Accelerator Pedal Position Signal (2)
42	—	—	Not Used
43	TN	1274	Accelerator Pedal Position 5-Volt Reference (2)
44-45	—	—	Not Used
46	PU	420	Torque Converter Clutch Brake Switch Signal
47	GY	2709	Fuel Tank Pressure Sensor 5-Volt Reference
48	YE	447	Starter Relay Coil Control
49-50	—	—	Not Used
51	D-GN	335	Low Speed Cooling Fan Relay Control
52	—	—	Not Used
53	BN/WH	379	Cruise Control Clutch Pedal Position Switch Signal
54	D-GN	1433	Clutch Start Switch Signal
55	—	—	Not Used
56	BK/WH	2751	Signal Ground