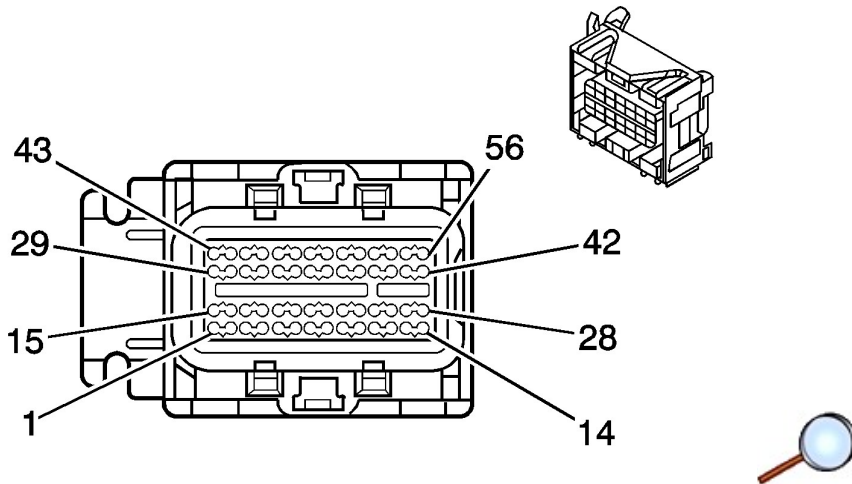


Powertrain Control Module (PCM) C3 (MU3)



Connector Part Information

- **OEM: 15437820**
- **Service: See Catalog**
- **56-Way F Micro 64 Sealed (GY)**

Pin	Wire Color	Circuit No.	Function
1-9	—	—	Not Used
10	TN	891	Boost Gauge Signal
11-14	—	—	Not Used
15	TN/BK	231	Oil Pressure Switch Signal
16-21	—	—	Not Used
22	WH/BK	2932	5-Volt Reference
23-30	—	—	Not Used
31	GY/BK	433	BARO Sensor Signal
32-35	—	—	Not Used
36	OG/BK	6014	Low Reference
37	D-GN/WH	428	EVAP Canister Purge Solenoid Control
38-43	—	—	Not Used
44	PU	401	VSS Low Signal
45	YE	400	VSS High Signal
46-56	—	—	Not Used