

# PRODEMAND

YMMS: 2006 Chevrolet Cobalt SS  
Engine: 2.4L Eng  
VIN:

Feb 24, 2022

License:  
Odometer:

## GROUND DISTRIBUTION

Fig 1: Ground Distribution Circuit (1 of 2)

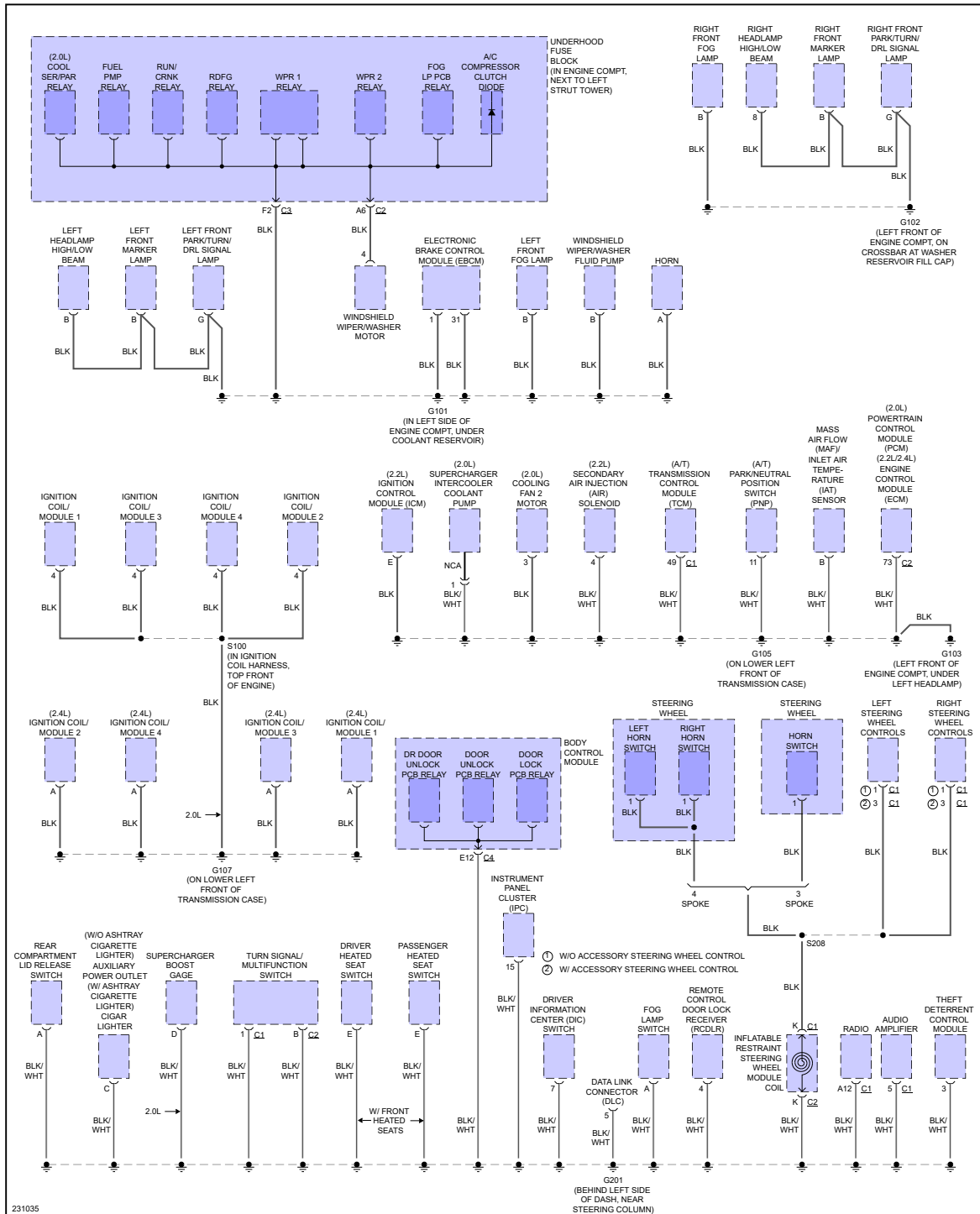
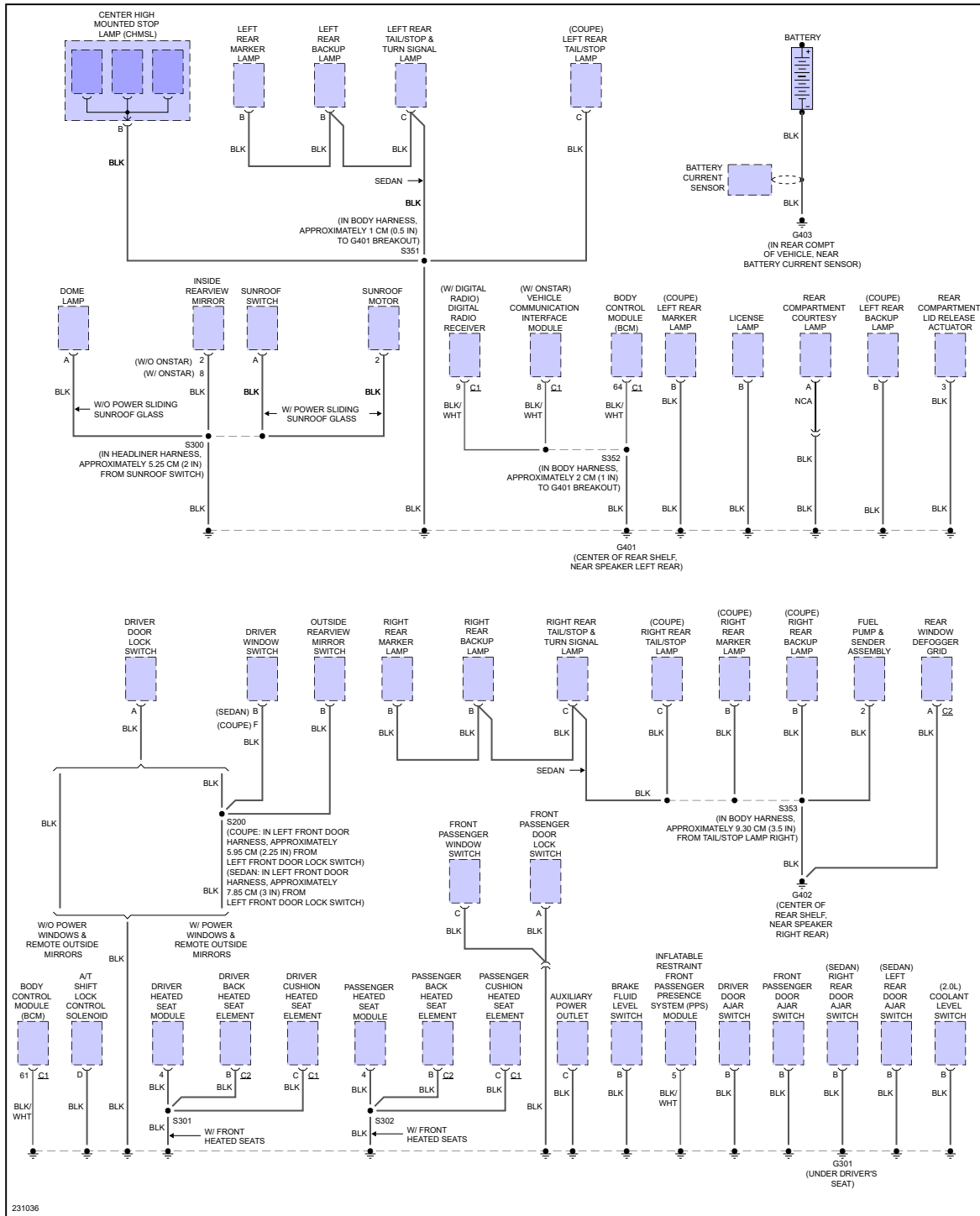


Fig 2: Ground Distribution Circuit (2 of 2)



231036