

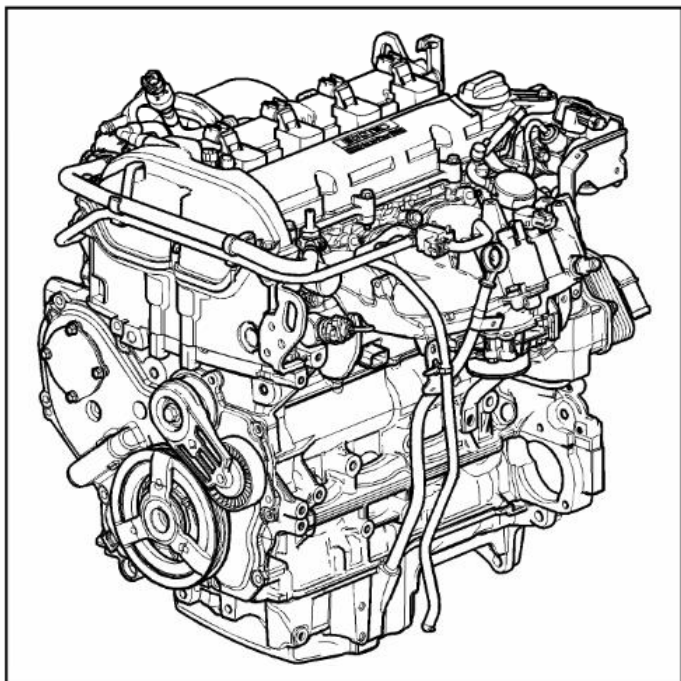
LNF
Engine Components List
Based off 2009 Cobalt



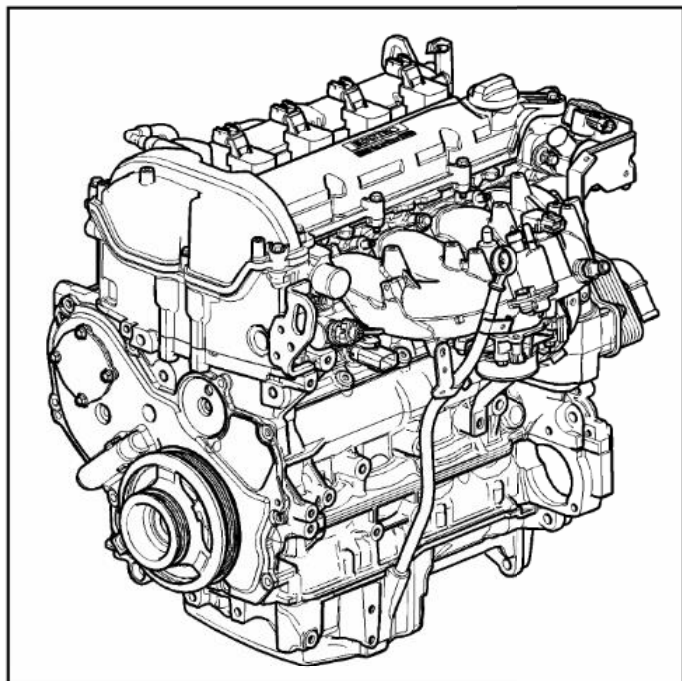
877-441-5150

C - Chevrolet >2009 >A - 1A1 - Cobalt >00 - 4-CYLINDER ENGINE >(MA00-006) 2008-2010 AP ENGINE ASM & PARTIAL ENGINE (LNF/2.0X) >

MA00-006 10/03/2007



1



2

Make: Chevrolet

Year: 2009

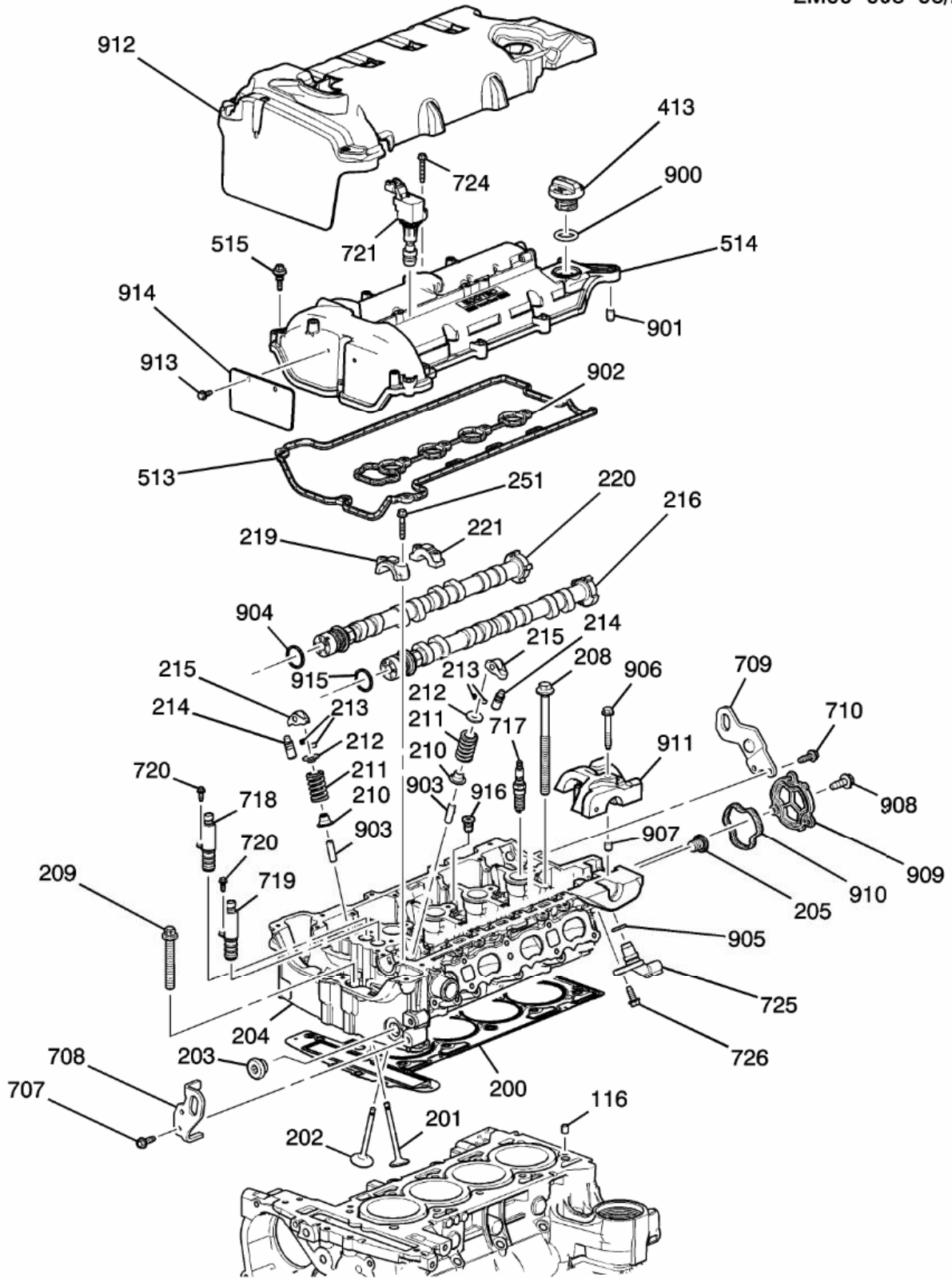
Model: Cobalt

C - Chevrolet >2009 >A - 1A1 - Cobalt >00 - 4-CYLINDER ENGINE >(MA00-006) 2008-2010 AP ENGINE ASM & PARTIAL ENGINE
(LNF/2.0X) >

Call	Part #	Group	H	Description	Usage	Year	Qty
1		NS		ENGINE, 2.0 L (122 CID)		2008 - 2010	
2		00.000		ENGINE, GASOLINE (SERVICE)		2008 - 2010	
2		00.000		ENGINE, GASOLINE		2008 - 2010	
2	19329341	00.000A		ENGINE, GASOLINE (SERVICE NEW) (CONTENT BASED ON 2010 HHR W/AUTO TRANS; OTHER LNF APPLS MAY NEED CR/SHF BALR SEE INST SHEET W/ENGINE FOR DETAILS)	A (LNF)	2008 - 2010	01

C - Chevrolet >2009 >A - 1A1 - Cobalt >00 - 4-CYLINDER ENGINE >(2M00-008) 2008-2009 AP ENGINE ASM-2.0L L4 PART 2 CYLINDER HEAD & RELATED PARTS (LNF/2.0X) >

2M00-008 06/29/2011



Make: Chevrolet

Year: 2009

Model: Cobalt

C - Chevrolet >2009 >A - 1A1 - Cobalt >00 - 4-CYLINDER ENGINE >(2M00-008) 2008-2009 AP ENGINE ASM-2.0L L4 PART 2 CYLINDER HEAD & RELATED PARTS (LNF/2.0X) >

Call	Part #	Group	H	Description	Usage	Year	Qty
116	90537102	00.293		PIN, CYL HD LOC (Service Lane Part)	A (LNF)	2008 - 2009	02
200	12589346	00.289		GASKET, CYL HD (REPLACE CYL HEAD BOLTS WHEN REPLACING CYL HEAD GASKET) (*KIT1) (ACDelco #12589346) (Service Lane Part)	A (LNF)	2008 - 2009	01
201	12657044	00.297		VALVE, EXH (Service Lane Part)	A (LNF)	2008 - 2009	08
202	55563529	00.296		VALVE, INT (Service Lane Part)	A (LNF)	2009 - 2009	08
203	11588880	00.206		PLUG, TMG CHAIN GDE ACC HOLE (PART OF 204) (Service Lane Part)	A (LNF)	2008 - 2009	01
204	12626384	00.269		HEAD, CYL (MCHG) (INCLS 203,205,219,221,251,90 3,906,907,911,916) (LESS VALVES)	A (LNF)	2008 - 2009	01
205	11588547	00.253		PLUG, CYL HD OIL GAL (PART OF 204) (M12X1.75X16.5) (20.5OD) (Service Lane Part)	A (LNF)	2008 - 2009	03
208	90537691	00.293		BOLT, CYL HD (M11X1.5X163) (MUST REPLACE BOLT WHEN REMOVED) (*KIT1) (Service Lane Part)	A (LNF)	2008 - 2009	10
209	24407225	00.293		BOLT, CYL HD (M8X1.25X60) (MUST REPLACE BOLT WHEN REMOVED) (*KIT1) (Service Lane Part)	A (LNF)	2008 - 2009	04
210	90537241	00.308		SEAL, VLV STEM OIL (*KIT1) (Service Lane Part)	A (LNF)	2008 - 2009	16
211	90537032	00.303		SPRING, VLV (Service Lane Part)	A (LNF)	2008 - 2009	16

							y
212	90537243	00.303		RETAINER, VLV SPR (Service Lane Part)	A (LNF)	2008 - 2009	16
213	90354648	00.310		KEY, VLV STEM (Service Lane Part)	A (LNF)	2008 - 2009	32
214	12572638	00.459		ADJUSTER, HYD VLV LASH (ACDelco #HL129) (Service Lane Part)	A (LNF)	2008 - 2009	16
215	12656486	00.333		ARM, VLV RKR (W/O BOLT) (Service Lane Part)	A (LNF)	2008 - 2009	16
216	12589335	00.519		CAMSHAFT, INT (INCLS 915) (Service Lane Part)	A (LNF)	2008 - 2009	01
219		NS		CAP, CM/SHF BRG (PART OF 204)		2008 - 2009	
220	12589340	00.519		CAMSHAFT, EXH (INCLS 904) (Service Lane Part)	A (LNF)	2008 - 2009	01
221		NS		CAP, CM/SHF BRG (PART OF 204)		2008 - 2009	
251	11519970	08.900		BOLT, HFH,M6X1X40,18 THD, 14.2 OD,8.8 STL, GMW3359 (PART OF 204) (Service Lane Part)		2008 - 2009	20
413	12583570	01.758		CAP, OIL FIL (MOBIL 1 SAE 5W30, W/SEAL) (INCLS 900) (NON VENTED) (ACDelco #FC215) (Service Lane Part)	A (LNF)	2008 - 2009	01
513	12609291	00.423		GASKET KIT, CM/SHF CVR (INCLS 902) (Service Lane Part)	A (LNF)	2008 - 2009	01
514	12612781	00.386		COVER, CM/SHF (INCLS 515,901,913,914) (WHEN REPLACING CAM COVER, MUST ORDER PVC HOSE WITH CAM COVER) (INCLS CVR,SEALS,BOLTS,IN SULATOR) (Service Lane Part)	A (LNF)	2009 - 2009	01

User Note: MUST ORDER PCV HOSE P/N 12606566 ALSO

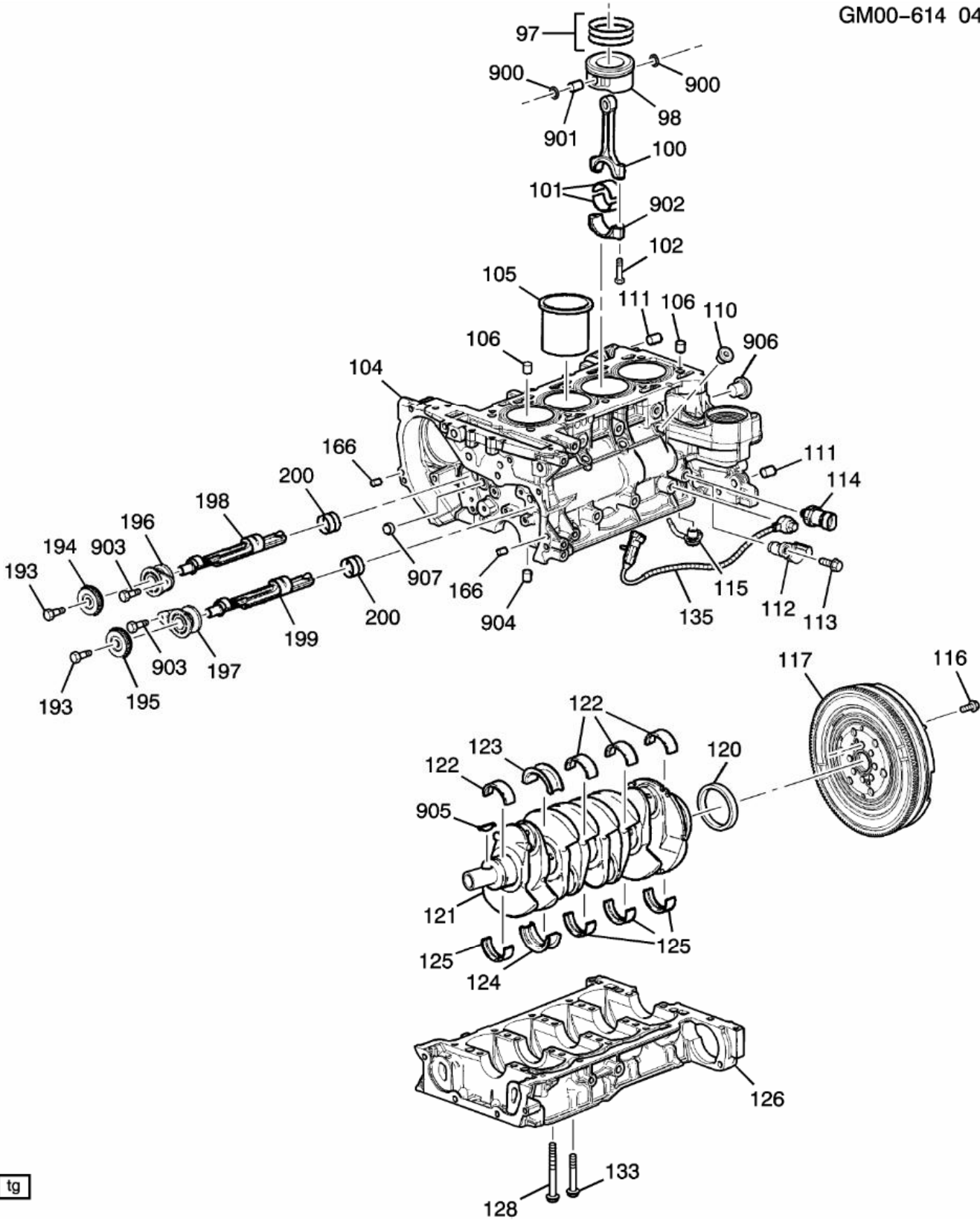
							y
515	11519970	08.900		BOLT, HFH,M6X1X40,18 THD, 14.2 OD,8.8 STL, GMW3359 (PART OF 514) (Service Lane Part)		2008 - 2009	11
707	11589311	08.900		BOLT, HFH, M8X1.25X29, 20 THD, 18 OD, 8.8 STL, GMW3359, M-PT (ENG LIFT FRT BRKT) (Service Lane Part)		2008 - 2009	02
708	12617527	00.004		BRACKET, ENG LIFT FRT (Service Lane Part)	A (LNF)	2008 - 2009	01
709	12580019	00.004		BRACKET, ENG LIFT RR (Service Lane Part)	A (LNF)	2008 - 2009	01
710	11589311	08.900		BOLT, HFH, M8X1.25X29, 20 THD, 18 OD, 8.8 STL, GMW3359, M-PT (ENG LIFT RR BRKT) (Service Lane Part)		2008 - 2009	02
717	12620540	02.270		SPARK PLUG, (ACDelco #41-108) (IRIDIUM) (Service Lane Part)	A (LNF)	2008 - 2009	04
718	12655421	00.736		VALVE, CM/SHF POSN ACTR EXH SOL (INCLS 720) (Service Lane Part)	A (LNF)	2008 - 2009	01
719	12655420	00.736		VALVE, CM/SHF POSN ACTR INT SOL (INCLS 720) (MATING CONN 13587320 2-WAY F W/LEADS) (Service Lane Part)	A (LNF)	2008 - 2009	01
720	11588279	08.900		BOLT, HFH,M10X1.5X80, 26 THD, 22.3 O.D., 10.9,GM4277M (PART OF 718,719) (Service Lane Part)		2008 - 2009	02
721	12638824	02.170		COIL, IGN (INCLS 724) (ACDelco #D522C) (Service Lane Part)	A (LNF)	2008 - 2009	04
724	11589083	02.183		BOLT, IGN COIL (PART OF 721) (M6X48)	A (LNF)	2008 - 2009	01

							y
725	12577245	02.383		SENSOR, CM/SHF POSN (INCLS 726,905) (ACDelco #213-1690) (Service Lane Part)	A (LNF)	2008 - 2009	02
726	11588712	08.900		BOLT, HFH,M6X1X20,17.5 THD,14.2 O.D.,8.8, GMW3359 (PART OF 725) (Service Lane Part)		2008 - 2009	02
900	12593348	01.758		SEAL, OIL FIL CAP (O RING) (PART OF 413) (27.94MM INNER DIAM) (SIZE #320) (ACDelco #12593348) (Service Lane Part)	A	2008 - 2009	01
901	12607128	00.413		PIN, CM/SHF CVR LOC (PART OF 514) (Service Lane Part)	A (LNF)	2008 - 2009	01
902		NS		SEAL, CM/SHF CVR (PART OF 513)		2008 - 2009	
903		NS		GUIDE, VLV (PART OF 204)		2008 - 2009	
904	12574477	00.539		SEAL, CM/SHF RR OIL (PART OF 220) (0.736) (ACDelco #12574477) (Service Lane Part)	A (LNF)	2008 - 2009	02
905		NS		SEAL, CM/SHF POSN SEN (O RING) (PART OF 725)		2008 - 2009	
906	11588718	00.539		BOLT, CM/SHF BRG RR CAP (PART OF 204) (M6X1X50) (0.206) (Service Lane Part)	A (LNF)	2008 - 2009	03
907	90537104	00.539		PIN, CM/SHF BRG RR CAP LOC (PART OF 204) (10MM HOLLOW SPLIT PIN) (Service Lane Part)	A (LNF)	2008 - 2009	04
908	11588712	08.900		BOLT, HFH,M6X1X20,17.5 THD,14.2 O.D.,8.8, GMW3359 (PART OF 909) (Service Lane Part)		2008 - 2009	03
909	12589459	00.293		PLATE, CYL HD OPG (INCLS 908,910) (Service Lane Part)	A (LNF)	2008 - 2009	04

							y
910	12589461	00.293		SEAL, CYL HD OPG PLT (O RING) (PART OF 909) (ACDelco #12589461) (Service Lane Part)	A (LNF)	2008 - 2009	01
911		NS		CAP, CM/SHF BRG RR (PART OF 204)		2008 - 2009	
912	12609336	00.206		SHIELD, ENG (SOUND ABSORBER) (W/O BOLT/SCREW) (Service Lane Part)	A (LNF)	2008 - 2009	01
912	25929131	00.206		SHIELD, ENG (INCLS BOLT/SCREW) (Service Lane Part)	A (PZZ)	2009 - 2009	01
913	11588712	08.900		BOLT, HFH,M6X1X20,17.5 THD,14.2 O.D.,8.8, GMW3359 (PART OF 514) (Service Lane Part)		2008 - 2009	02
914	12612784	00.413		INSULATOR, CM/SHF HSG CVR (PART OF 514) (Service Lane Part)	A (LNF)	2008 - 2009	01
915	12574477	00.539		SEAL, CM/SHF FRT OIL (PART OF 216) (0.736) (ACDelco #12574477) (Service Lane Part)	A (LNF)	2008 - 2009	02
916	11561751	00.293		PLUG, CYL HD WAT JKT HOLE (PART OF 204) (M20X1.5X30.5) (1.531) (Service Lane Part)	A (LNF)	2008 - 2009	02
K01	12609290	00.289		GASKET KIT, CYL HD (INCLS 200,208-210) (LESS VLV COVER GSKTS) (Service Lane Part)	A (LNF)	2008 - 2009	01

C - Chevrolet >2009 >A - 1A1 - Cobalt >00 - 4-CYLINDER ENGINE >(GM00-614) 2008-2010 AP ENGINE ASM-2.0L L4 PART 1 CYLINDER BLOCK & INTERNAL PARTS (LNF/2.0X) >

GM00-614 04/30/2010



Make: Chevrolet

Year: 2009

Model: Cobalt

C - Chevrolet >2009 >A - 1A1 - Cobalt >00 - 4-CYLINDER ENGINE >(GM00-614) 2008-2010 AP ENGINE ASM-2.0L L4 PART 1 CYLINDER BLOCK & INTERNAL PARTS (LNF/2.0X) >

Call	Part #	Group	H	Description	Usage	Year	Qty
97	89018107	00.643		RING KIT, PSTN (STD) (Service Lane Part)	A (LNF)	2008 - 2010	04
98	89018108	00.629		PISTON, (W/PIN) (INCLS 900,901) (STD) (Service Lane Part)	A (LNF)	2008 - 2010	04
100	12589414	00.603		ROD, CONN (INCLS 102,902) (Service Lane Part)	A (LNF)	2008 - 2009	01
101	12591093	00.616		BEARING KIT, CONN ROD (STANDARD SIZE, FULL SET) (Service Lane Part)	A (LNF) (EXC CV2)	2008 - 2010	01
101	19300927	00.616		BEARING KIT, CONN ROD (STANDARD SIZE, FULL SET) (Service Lane Part)	A (LNF, CV2)	2008 - 2010	01
102	90537293	00.623		BOLT, CONN ROD (PART OF 100) (M9X1,53.7) (Service Lane Part)	A (LNF)	2008 - 2010	08
104		NS		BLOCK, ENG		2008 - 2010	
105	88984129	00.030		SLEEVE, CYL (MCHG) (Service Lane Part)	A (LNF)	2008 - 2010	04
106	90537102	00.293		PIN, CYL HD LOC (Service Lane Part)	A (LNF)	2008 - 2010	02
110	11588547	00.034		PLUG, ENG BLK CORE HOLE (M12X1.75X16.5) (20.5OD) (0.253) (Service Lane Part)	A (LNF)	2008 - 2010	08
111	90351708	00.685		PIN, TRANS LOC (18.5MM OD X12MM LONG) (0.219) (Service Lane Part)	A	2008 - 2010	02
112	12588992	02.383		SENSOR, CR/SHF POSN (INCLS 113) (ACDelco #213-1696) (Service Lane Part)	A (LNF)	2008 - 2010	01
113	11589084	02.383		BOLT, CR/SHF POSN SEN (PART OF 112) (M6X1X20,17.5 THD) (12 OD) (3.682) (Service Lane Part)	A	2008 - 2010	02

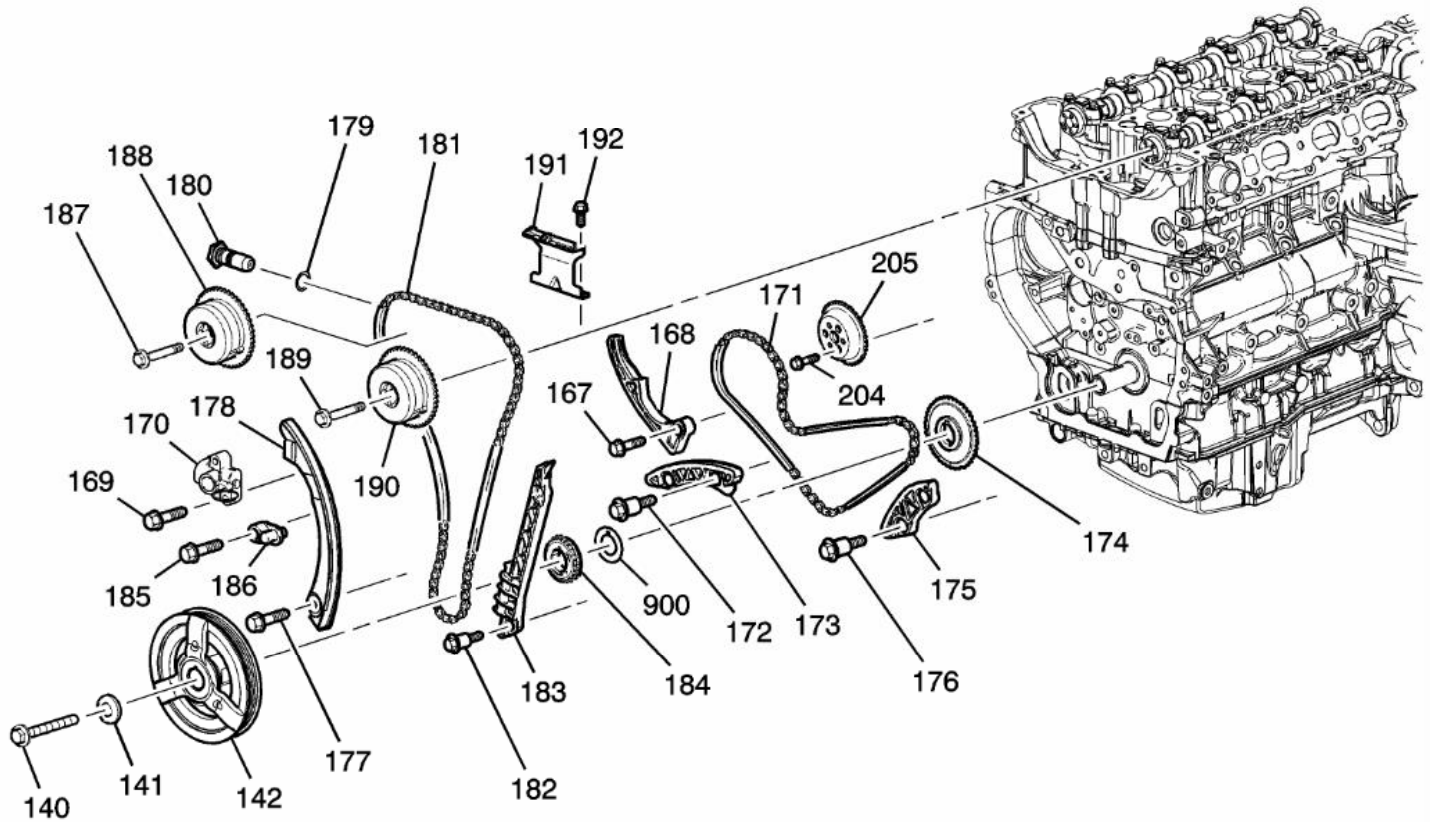
							y
114	12635992	01.800		SWITCH, ENG OIL PRESS (USE T/W MATING CONN 12085500 1 WAY FEMALE W/LEADS) (ACDelco #D1849A) (Service Lane Part)	A	2008 - 2010	01
115	12596230	01.531		NOZZLE, PSTN OIL (Service Lane Part)	A (LNF)	2008 - 2010	04
116	11570626	00.669		BOLT, FLYWHL (M10X1.25X23.5) (Service Lane Part)	A (LNF,MU3)	2008 - 2010	08
117	12612794	00.666		FLYWHEEL, ENG (Service Lane Part)	A (LNF,MU3)	2008 - 2010	01
120	12591866	00.137		SEAL, CR/SHF RR OIL (Service Lane Part)	A (LNF)	2008 - 2010	01
121	12619107	00.646		CRANKSHAFT, (Service Lane Part)	A (LNF)	2008 - 2010	01
122		NS		BEARING, CR/SHF UPR (*KIT1)		2008 - 2010	
123		NS		BEARING, CR/SHF UPR (*KIT1)		2008 - 2010	
124		NS		BEARING, CR/SHF LWR (*KIT1)		2008 - 2010	
125		NS		BEARING, CR/SHF LWR (*KIT1)		2008 - 2010	
126		NS		CRANKCASE, LWR (CSTG)		2008 - 2010	
128	11588733	08.900		BOLT, HFH,M8X1.25X80.8,21.6 THD, 18 OD, 8.8 STL, GMW3359 (LWR C/CASE) (Service Lane Part)		2008 - 2010	10
133	11571239	08.900		BOLT, HFH,M10X1.5X146,71 THD,22.75 OD,8.8,GMW3179 A,REDUCED BODY (LWR C/CASE) (Service Lane Part)		2008 - 2010	20
135	12621820	02.383		SENSOR, KNOCK (T/W MATING CONN 12116247) (ACDelco #213-4583) (Service Lane Part)	A (LNF)	2009 - 2009	01

							y
166	22531637	00.206		PIN, ENG FRT CVR LOC (8MM DIA,12MM LONG) (DOWEL) (0.413) (Service Lane Part)	A (LNF)	2008 - 2010	02
193	11516327	08.900		BOLT, HFH,M10X1.5X25,22.30 O.D.,HDR PT,10.9,7112M (BAL SHF SPKT) (PART OF 198,199) (Service Lane Part)		2008 - 2010	02
194		NS		SPROCKET, BAL SHF (PART OF 198)		2008 - 2010	
195		NS		SPROCKET, BAL SHF (PART OF 199)		2008 - 2010	
196		NS		BEARING, BAL SHF FRT (PART OF 198)		2008 - 2010	
197		NS		BEARING, BAL SHF FRT (PART OF 199)		2008 - 2010	
198	12587215	00.659	R	SHAFT, BAL (INCLS 193,194,196) (INCLS SPROCKET) (Service Lane Part)	A (LNF)	2008 - 2010	01
199	12587216	00.659	L	SHAFT, BAL (INCLS 193,195,197) (INCLS SPROCKET) (Service Lane Part)	A (LNF)	2008 - 2010	01
200	12581395	00.539		BEARING, BALR SHF RR (Service Lane Part)	A (LNF)	2008 - 2010	02
900	12755171	00.639		RETAINER, PSTN PIN (PART OF 98) (Service Lane Part)	A (LNF)	2008 - 2010	08
901		NS		PIN, PSTN (PART OF 98)		2008 - 2010	
902		NS		CAP, CONN ROD (PART OF 100)		2008 - 2010	
903	11562426	08.900		BOLT, HFH,M6X1X25,18 THD,14.2 OD, 10.9 STL GMW3359 (BAL SHF BRG-> (FOR:CARRIER/FLANG E-TO BLOCK) (Service Lane Part)		2008 - 2010	02
904	90537102	01.428		PIN, LWR C/CASE LOC (0.293) (Service Lane Part)	A (LNF)	2008 - 2010	02

							y
905	24424855	00.729		KEY, CR/SHF SPKT (Service Lane Part)	A (LNF)	2008 - 2010	01
906	11588949	08.973		PLUG, M16X1.5X14, 24 OD, SAE 1010 STL, GMW3044, W/ AL WASHER (ENG BLK CORE HOLE) (Service Lane Part)		2008 - 2010	02
907	11588949	08.973		PLUG, M16X1.5X14, 24 OD, SAE 1010 STL, GMW3044, W/ AL WASHER (ENG BLK OIL GAL) (Service Lane Part)		2008 - 2010	02
K01	12591092	00.096		BEARING KIT, CR/SHF (INCLS 122-125) (FULL SET) (Service Lane Part)	A (LNF) (EXC CV2)	2008 - 2010	01

C - Chevrolet >2009 >A - 1A1 - Cobalt >00 - 4-CYLINDER ENGINE >(1T00-007) 2008-2010 AP ENGINE ASM-2.0L L4 PART 3 TIMING CHAIN & TENSIONER (LNF/2.0X) >

1T00-007 10/29/2007



Make: Chevrolet

Year: 2009

Model: Cobalt

C - Chevrolet >2009 >A - 1A1 - Cobalt >00 - 4-CYLINDER ENGINE >(1T00-007) 2008-2010 AP ENGINE ASM-2.0L L4 PART 3 TIMING CHAIN & TENSIONER (LNF/2.0X) >

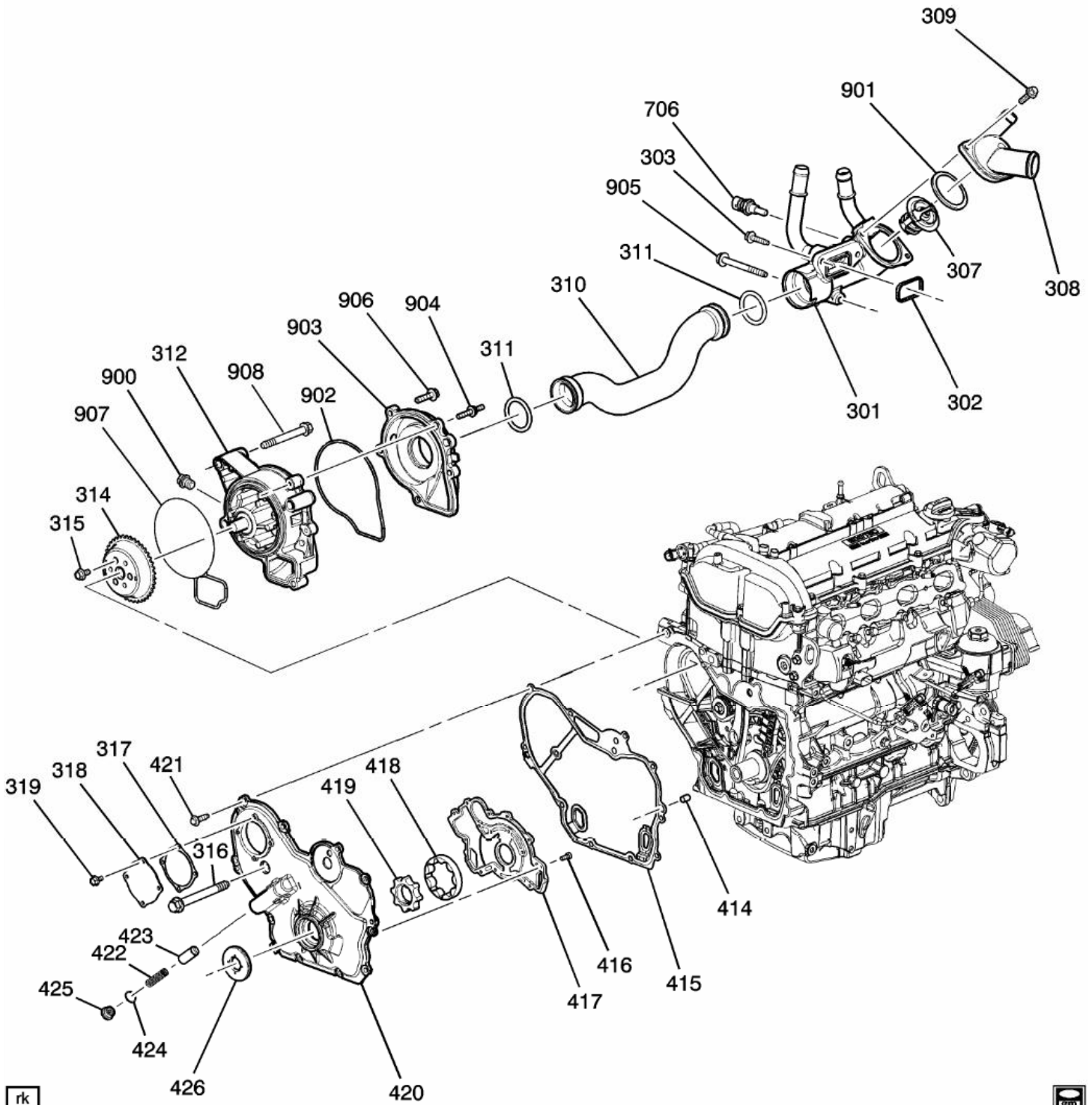
Call	Part #	Group	H	Description	Usage	Year	Qty
140	11589123	08.900		BOLT, HFH,W/CON WA,M14X1.5X118, 103 THD, 44 THD, 10.9, 6047M (INCLS 141) (Service Lane Part)		2008 - 2010	01
141	12611099	00.662		WASHER, CR/SHF BALR (PART OF 140) (Service Lane Part)	A (LNF)	2008 - 2010	02
142	90537704	00.659		BALANCER, CR/SHF (5 RIB) (FWD W/EPS) (SLIP FIT BALANCER) (ACDelco #90537704) (Service Lane Part)	A (LNF)	2008 - 2010	01
167	11588714	08.900		BOLT, HFH,M6X1X30,22.7 THD,14.2 OD,8.8,GMW3359, M- PT. (BAL CHAIN ADJ GDE) (Service Lane Part)		2008 - 2010	01
168	90537299	00.659		GUIDE, BALR CHAIN ADJ (Service Lane Part)	A (LNF)	2008 - 2010	01
169	11588714	08.900		BOLT, HFH,M6X1X30,22.7 THD,14.2 OD,8.8,GMW3359, M- PT. (BAL CHAIN ADJ GDE) (Service Lane Part)		2008 - 2010	02
170	90537300	01.060		TENSIONER, W/PMP & BAL SHF CHAIN (ACDelco #90537300) (Service Lane Part)	A (LNF)	2008 - 2010	01
171	12635427	01.109		CHAIN, W/PMP & BAL SHF (Service Lane Part)	A (LNF)	2008 - 2010	01
172	11588522	08.900		BOLT, HFH W/SHLDR,M6X1X29.5,1 1.8THD,17 O.D.,8.8,6194M (BAL CHAIN GDE) (Service Lane Part)		2008 - 2010	02

							y
173	90537336	00.659		GUIDE, BALR CHAIN (UPPER) (Service Lane Part)	A (LNF)	2008 - 2010	01
174	12642713	00.728		SPROCKET, CR/SHF (Service Lane Part)	A (LNF)	2008 - 2010	01
175	90537369	00.659		GUIDE, BALR CHAIN (LOWER) (Service Lane Part)	A (LNF)	2008 - 2010	01
176	11588522	08.900		BOLT, HFH W/SHLDR,M6X1X29.5,1 1.8THD,17 O.D.,8.8,6194M (BAL CHAIN GDE) (Service Lane Part)		2008 - 2010	02
177	11588714	08.900		BOLT, HFH,M6X1X30,22.7 THD,14.2 OD,8.8,GMW3359, M- PT. (TMG CHAIN GDE) (*KIT1) (Service Lane Part)		2008 - 2010	01
178	24449448	00.724		GUIDE, TMG CHAIN (W/BUSHING) (*KIT1) (Service Lane Part)	A (LNF)	2008 - 2010	01
179	89060424	00.724		SEAL, TMG CHAIN TENSUR (PART OF 180) (*KIT1) (Service Lane Part)	A (LNF)	2008 - 2010	01
180	12608580	00.724		TENSIONER, TMG CHAIN (INCLS 179) (*KIT1) (ACDelco #12608580) (Service Lane Part)	A (LNF)	2008 - 2010	01
181	24461834	00.724		CHAIN, CM/SHF TMG (*KIT1) (Service Lane Part)	A (LNF)	2008 - 2010	01
182	11588522	08.900		BOLT, HFH W/SHLDR,M6X1X29.5,1 1.8THD,17 O.D.,8.8,6194M (TMG CHAIN GDE) (*KIT1) (Service Lane Part)		2008 - 2010	02
183	13104978	00.724		GUIDE, TMG CHAIN (W/O BUSHING) (*KIT1) (Service Lane Part)	A (LNF)	2008 - 2010	01
184	24424758	00.728		SPROCKET, CR/SHF (FOR CAMSHAFT DRIVE) (FRT) (Service	A (LNF)	2008 - 2010	01

							y
185	11588714	08.900		BOLT, HFH,M6X1X30,22.7 THD,14.2 OD,8.8,GMW3359, M- PT. (TMG CHAIN OIL NOZ) (*KIT1) (Service Lane Part)		2008 - 2010	01
186	12577163	00.748		NOZZLE, TMG CHAIN OIL (LESS SPRING) (*KIT1) (Service Lane Part)	A (LNF)	2008 - 2010	01
187	11588844	00.736		BOLT, CM/SHF POSN ACTR (M10X1.5X76, 19 THD) (Service Lane Part)	A (LNF)	2008 - 2010	02
188	12621505	00.736		ACTUATOR, CM/SHF POSN (Service Lane Part)	A (LNF)	2008 - 2010	01
189	11588844	00.736		BOLT, CM/SHF POSN ACTR (M10X1.5X76, 19 THD) (Service Lane Part)	A (LNF)	2008 - 2010	02
190	12578515	00.296		ACTUATOR, INT VLV (INT) (0.736) (Service Lane Part)	A (LNF)	2008 - 2010	01
191	12588387	00.724		GUIDE, TMG CHAIN (UPPER FIXED) (*KIT1) (Service Lane Part)	A (LNF)	2008 - 2010	01
192	11518828	08.900		BOLT, HVY HEX ACORN FLG HD (TMG CHAIN GDE) (*KIT1) (Service Lane Part)		2008 - 2010	02
204	11518061	08.900		BOLT, HFH, M6X1X13, 10 THD, 14.2 OD, GMW25M (8.8) STL,GMW14C-PT (W/PMP SPKT) (Service Lane Part)		2008 - 2010	03
205	90537298	01.109		SPROCKET, W/PMP (Service Lane Part)	A (LNF)	2008 - 2010	01
900	12611099	00.662		WASHER, CR/SHF BALR (Service Lane Part)	A (LNF)	2008 - 2010	02
K01	12635447	00.724		CHAIN PKG, TMG (INCLS 177- 183,185,186,191,192) (ACDelco #12635447) (Service Lane Part)	A (LNF)	2008 - 2010	01

C - Chevrolet >2009 >A - 1A1 - Cobalt >00 - 4-CYLINDER ENGINE >(2M00-015) 2008-2010 AP ENGINE ASM-2.0L L4 PART 4 FRONT COVER & COOLING (LNF/2.0X) >

2M00-015 11/22/2006



Make: Chevrolet

Year: 2009

Model: Cobalt

C - Chevrolet >2009 >A - 1A1 - Cobalt >00 - 4-CYLINDER ENGINE >(2M00-015) 2008-2010 AP ENGINE ASM-2.0L L4 PART 4 FRONT COVER & COOLING (LNF/2.0X) >

Call	Part #	Group	H	Description	Usage	Year	Qty
301	12605853	01.251		HOUSING, ENG COOL THERM (Service Lane Part)	A (LNF)	2009 - 2010	01
302	90537471	01.252		SEAL, WAT INL (ROUND WILL CHANGE TO OBLONG SHAPE WHEN ASSEMBLED) (ACDelco #90537471) (Service Lane Part)	A (LNF)	2008 - 2010	01
303	11900244	08.900		BOLT, HFH,M6X1X28,20 THD,14.2 O.D.,8.8,GMW3359 (ENG COOL THERM HSG) (Service Lane Part)		2008 - 2010	02
307	12622410	01.246		THERMOSTAT, ENG COOL (INCLS 309,901) (ACDelco #131-158) (Service Lane Part)	A (LNF)	2008 - 2010	01
308	12599085	01.073		INLET, WAT (Service Lane Part)	A (LNF)	2008 - 2010	01
309	11588712	08.900		BOLT, HFH,M6X1X20,17.5 THD,14.2 O.D.,8.8, GMW3359 (PART OF 307) (Service Lane Part)		2008 - 2010	02
310	12592401	01.173		PIPE, RAD OTLT (Service Lane Part)	A (LNF)	2008 - 2010	01
311	90537379	01.173		SEAL, RAD OTLT PIPE (O RING) (Service Lane Part)	A (LNF)	2008 - 2010	02
312	12630084	01.069		PUMP, WAT (W/GSKT) (INCLS 314,315,900,902-904,906,907) (ACDelco #251-751) (Service Lane Part)	A (LNF)	2008 - 2010	01
314	90537298	01.109		SPROCKET, W/PMP (PART OF 312) (Service Lane Part)	A (LNF)	2008 - 2010	01

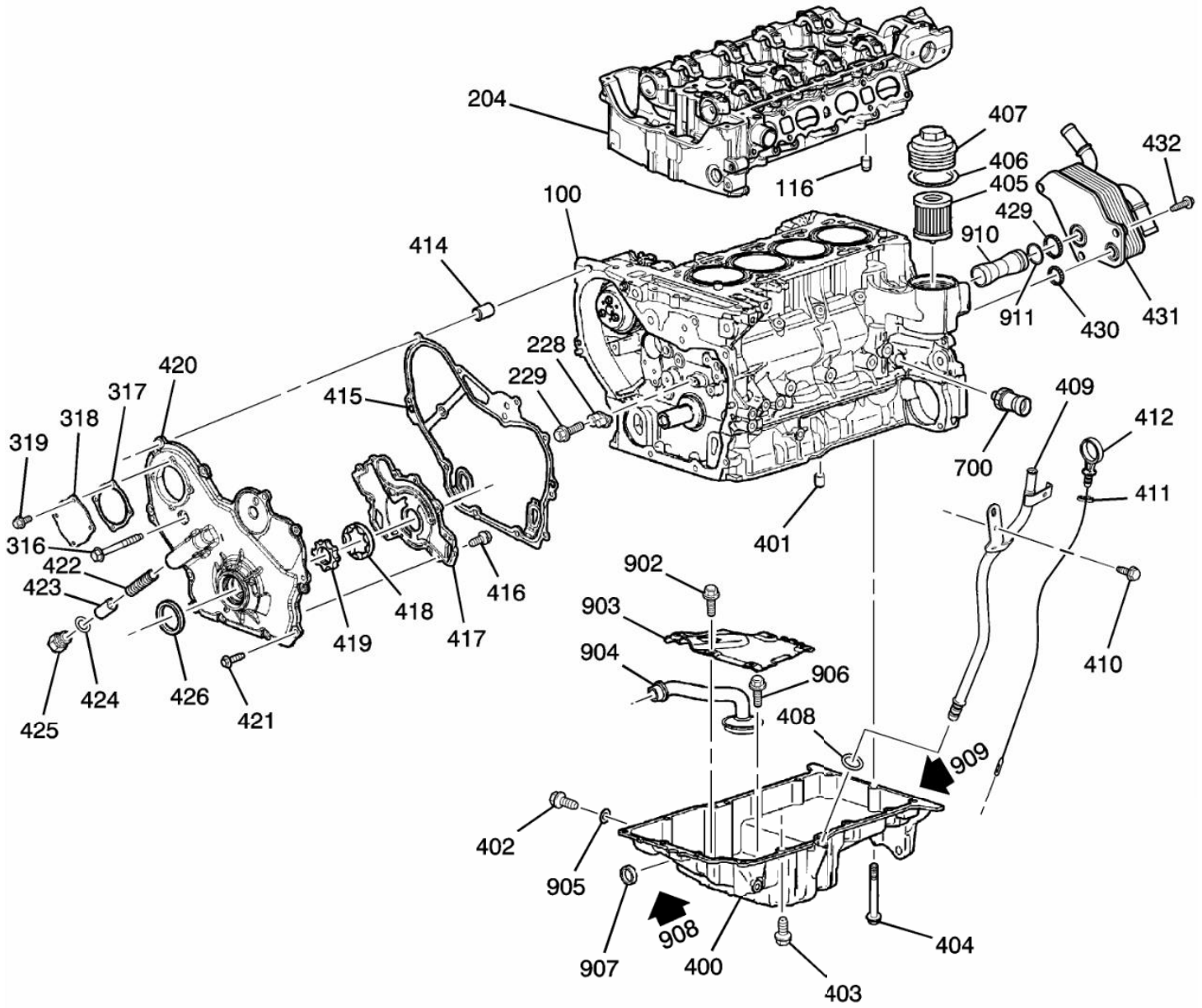
							y
315	11518061	08.900		BOLT, HFH, M6X1X13, 10 THD, 14.2 OD, GMW25M (8.8) STL,GMW14C-PT (PART OF 312) (Service Lane Part)		2008 - 2010	03
316	11588735	08.900		BOLT, HFH,M8X1.25X100,22 THD,18 OD,8.8 STL,GMW3359,M-PT (W/PMP) (Service Lane Part)		2008 - 2010	02
317	90537915	01.079		GASKET, W/PMP CVR (PART OF 420) (1.123) (Service Lane Part)	A (LNF)	2009 - 2010	01
318	90537266	01.073		COVER, W/PMP (PART OF 420) (Service Lane Part)	A (LNF)	2009 - 2010	01
319	11518061	08.900		BOLT, HFH, M6X1X13, 10 THD, 14.2 OD, GMW25M (8.8) STL,GMW14C-PT (PART OF 420) (Service Lane Part)		2008 - 2010	04
414	22531637	00.206		PIN, ENG FRT CVR LOC (8MM DIA,12MM LONG) (DOWEL) (0.413) (Service Lane Part)	A (LNF)	2008 - 2010	02
415	24435052	00.207		GASKET, ENG FRT CVR (ACDelco #24435052) (Service Lane Part)	A (LNF)	2008 - 2010	01
416		NS		BOLT, O/PMP CVR (PART OF 420)		2008 - 2010	
417		NS		COVER, O/PMP (PART OF 420)		2008 - 2010	
418		NS		GEAR, O/PMP DRVN (PART OF 420)		2008 - 2010	
419		NS		GEAR, O/PMP (PART OF 420)		2008 - 2010	
420	12637040	00.206		COVER, ENG FRT (W/OIL PMP) (INCLS 317-319,416-419,422- 426) (Service Lane Part)	A (LNF)	2008 - 2010	01

							y
421	11589236	08.900		BOLT, HFH, M8X1.25X30.7, 20.7 THD, 17 OD, 8.8 STL, GMW3359 (ENG FRT CVR) (Service Lane Part)		2008 - 2010	03
422		NS		SPRING, OIL PRESS RLF VLV (PART OF 420)		2008 - 2010	
423		NS		VALVE, OIL PRESS RLF (PART OF 420)		2008 - 2010	
424	11093042	01.609		SEAL, OIL PRESS RLF VLV SPR SEAT (O RING) (PART OF 420) (1.655) (Service Lane Part)	A (LNF)	2008 - 2010	01
425		NS		SEAT, OIL PRESS RLF VLV SPR (PART OF 420)		2008 - 2010	
426	12584041	00.213		SEAL, CR/SHF FRT OIL (PART OF 420) (ACDelco #296-16) (Service Lane Part)	A (LNF)	2009 - 2010	01
706	12611420	01.150		SENSOR, ENG COOL TEMP (3.682) (ACDelco #213-4232) (Service Lane Part)	A (LNF)	2008 - 2010	01
706	12611420	03.682		SENSOR, ENG COOL TEMP (ACDelco #213- 4232) (Service Lane Part)	A (LNF)	2008 - 2010	01
900	12586573	00.034		PLUG, ENG BLK COOL DRN HOLE (PART OF 312) (M12X1.5X12) (Service Lane Part)	A (LNF)	2008 - 2010	01
901	03522676	01.252		SEAL, ENG COOL THERM (O RING) (PART OF 307) (SQUARE CUT) (ACDelco #3522676) (Service Lane Part)	A (LNF)	2008 - 2010	01
902	24446365	01.123		SEAL, W/PMP CVR (O RING) (PART OF 312) (Service Lane Part)	A (LNF)	2008 - 2010	01
903		NS		COVER, W/PMP (PART OF 312)		2008 - 2010	

							y
904	11609473	08.981		STUD, HFH,6X1X25,6X1X16,1 4.2 OD,47.6 TL,9.8,6280M,HDR-PTS (PART OF 312) (Service Lane Part)		2008 - 2010	01
905	11588719	08.900		BOLT, HFH,M6X1X60,18MM THD,14.2 O.D.,8.8,3359GMW (ENG COOL THERM HSG) (Service Lane Part)		2008 - 2010	01
906	11516424	08.900		BOLT, HFH,M6X1X25,14.2 O.D.,HDR PT,9.8,ZE (PART OF 312) (Service Lane Part)		2008 - 2010	04
907	24439799	01.079		GASKET, W/PMP (PART OF 312) (ACDelco #251-2053) (Service Lane Part)	A (LNF)	2008 - 2010	01
908	11900262	08.900		BOLT, HFH,M8X1.25X69.15,19 THD,18 OD, 8.8 STL, GMW3359,REDUCED BODY (W/PMP CVR) (Service Lane Part)		2008 - 2010	02

C - Chevrolet >2009 >A - 1A1 - Cobalt >00 - 4-CYLINDER ENGINE >(2M00-016) 2008-2010 AP ENGINE ASM-2.0L L4 PART 5 OIL
PUMP,PAN & RELATED PARTS (LNF/2.0X) >

2M00-016 04/21/2008



Make: Chevrolet

Year: 2009

Model: Cobalt

C - Chevrolet >2009 >A - 1A1 - Cobalt >00 - 4-CYLINDER ENGINE >(2M00-016) 2008-2010 AP ENGINE ASM-2.0L L4 PART 5 OIL
PUMP,PAN & RELATED PARTS (LNF/2.0X) >

Call	Part #	Group	H	Description	Usage	Year	Qty
100		NS		BLOCK, ENG (SEE GROUP 00.000 "CYLINDER BLOCK & RELATED PARTS" FOR DETAILED ILLUSTRATED VIEW) (SERVICED BY GOODWRENCH ENGINE)		2008 - 2010	
116		NS		RESTRICTOR, ENG BLK OIL GAL (PART OF 204)		2008 - 2010	
204	12626384	00.269		HEAD, CYL (MCHG) (INCLS 116) (SEE GROUP 00.000 "CYLINDER HEAD AND RELATED PARTS" FOR DETAILED ILLUSTRATED VIEW) (LESS VALVES)	A (LNF)	2008 - 2010	01
228	12577163	00.748		NOZZLE, TMG CHAIN OIL (LESS SPRING) (Service Lane Part)	A (LNF)	2008 - 2010	01
229	11588714	08.900		BOLT, HFH,M6X1X30,22.7 THD,14.2 OD,8.8,GMW3359, M- PT. (BAL CHAIN ADJ GDE) (Service Lane Part)		2008 - 2010	01
316	11588735	08.900		BOLT, HFH,M8X1.25X100,22 THD,18 OD,8.8 STL,GMW3359,M-PT (W/PMP) (Service Lane Part)		2008 - 2010	02
317	90537915	01.079		GASKET, W/PMP CVR (PART OF 420) (1.123) (Service Lane Part)	A (LNF)	2009 - 2010	01
318	90537266	01.073		COVER, W/PMP (PART OF 420) (Service Lane Part)	A (LNF)	2009 - 2010	01

							y
319	11518061	08.900		BOLT, HFH, M6X1X13, 10 THD, 14.2 OD, GMW25M (8.8) STL,GMW14C-PT (PART OF 420) (Service Lane Part)		2008 - 2010	04
400	12601240	01.426		PAN, OIL (INCLS 402,902-908) (NO GASKET SERVICED, USE RTV SEALANT 12378521) (Service Lane Part)	A (LNF)	2008 - 2010	01
401	22531637	01.428		PIN, OIL PAN LOC (8MM DIA,12MM LONG) (DOWEL) (0.413) (Service Lane Part)	A (LNF)	2008 - 2010	02
402	11562588	01.453		PLUG, OIL PAN DRN (PART OF 400) (INCLS 905) (M12X1.75X25) (W/SEAL) (EXC MAGNET) (Service Lane Part)	A (LNF)	2008 - 2010	01
403	11570082	08.900		BOLT, HFH,M8X1.25X22,19 THD,18 OD,10.9,GMW3359 (OIL PAN) (ACDelco #11570082) (Service Lane Part)		2008 - 2010	14
404	11589253	08.900		BOLT, M8X1.25X105, GM500M 9.8 STEEL, PHOSP ZINC ORG (OIL PAN) (Service Lane Part)		2008 - 2010	01
405	12605566	01.836		FILTER, OIL (FILTER ONLY) (PART OF 407) (ACDelco #PF457G) (Service Lane Part)	A (LNF)	2008 - 2010	01
406	12580255	01.844		SEAL, OIL FLTR CAP (O RING) (PART OF 407) (ACDelco #12580255) (Service Lane Part)	A (LNF)	2008 - 2010	01
407	12605565	01.836		FILTER, OIL (INCLS 405,406) (FILTER,CAP AND CAP O-RING) (ACDelco #PF458G) (Service Lane Part)	A (LNF)	2008 - 2010	01

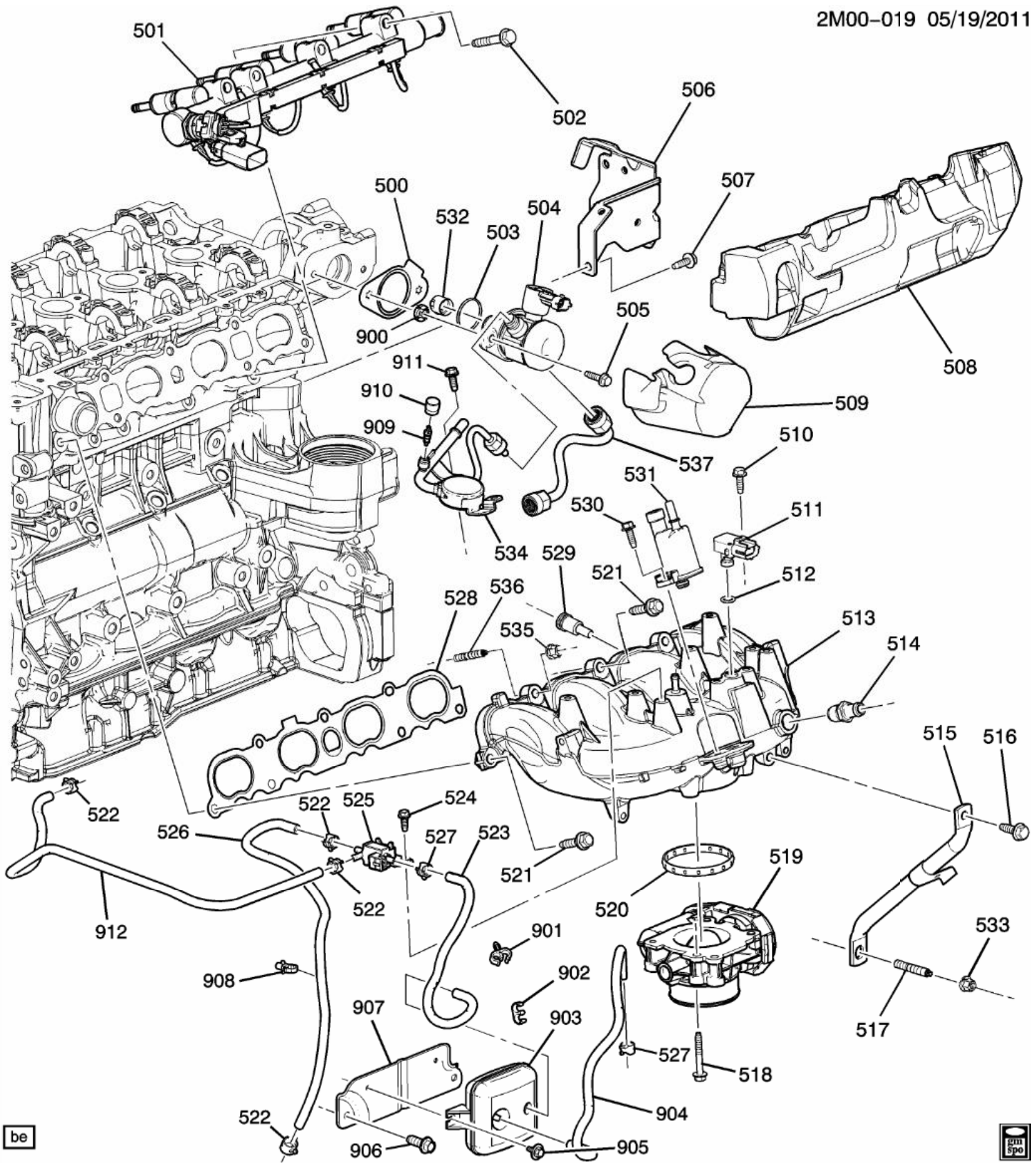
							y
408	12607449	01.516		SEAL, OIL LVL IND TUBE (O RING) (PART OF 409) (Service Lane Part)	A (LNF)	2008 - 2010	02
409	12609741	01.516		TUBE, OIL LVL IND (INCLS 408) (Service Lane Part)	A (LNF)	2008 - 2010	01
410	11609577	01.516		BOLT, OIL LVL IND TUBE (HFH,M6X1X55,18 THD,14.2 OD,8.8,GMW3359,M POINT) (0.659) (Service Lane Part)	A (LNF)	2008 - 2009	03
411	24504031	01.516		SEAL, OIL LVL IND (O RING) (PART OF 412) (RED) (6.07 ID; 1.78 DIA) (Service Lane Part)	A (LNF)	2008 - 2010	01
412	12604225	01.516		INDICATOR, OIL LVL (INCLS 411) (W/O TUBE ASM) (Service Lane Part)	A (LNF)	2008 - 2010	01
414	22531637	00.206		PIN, ENG FRT CVR LOC (8MM DIA,12MM LONG) (DOWEL) (0.413) (Service Lane Part)	A (LNF)	2008 - 2010	02
415	24435052	00.207		GASKET, ENG FRT CVR (ACDelco #24435052) (Service Lane Part)	A (LNF)	2008 - 2010	01
416		NS		BOLT, O/PMP FRT CVR (PART OF 420)		2008 - 2010	
417		NS		HOUSING, O/PMP INTER (PART OF 420)		2008 - 2010	
418		NS		GEAR, O/PMP (PART OF 420)		2008 - 2010	
419		NS		GEAR, O/PMP DRVN (PART OF 420)		2008 - 2010	
420	12637040	00.206		COVER, ENG FRT (W/OIL PMP) (INCLS 317-319,416-419,422- 426) (Service Lane Part)	A (LNF)	2008 - 2010	01

							y
421	11589236	08.900		BOLT, HFH, M8X1.25X30.7, 20.7 THD, 17 OD, 8.8 STL, GMW3359 (ENG FRT CVR) (Service Lane Part)		2008 - 2010	10
422		NS		SPRING, OIL PRESS RLF VLV (PART OF 420)		2008 - 2010	
423		NS		VALVE, OIL PRESS RLF (PART OF 420)		2008 - 2010	
424	11093042	01.609		SEAL, OIL PRESS RLF VLV SPR SEAT (O RING) (PART OF 420) (1.655) (Service Lane Part)	A (LNF)	2008 - 2010	01
425		NS		SEAT, OIL PRESS RLF VLV SPR (PART OF 420)		2008 - 2010	
426	12584041	00.213		SEAL, CR/SHF FRT OIL (PART OF 420) (ACDelco #296-16) (Service Lane Part)	A (LNF)	2009 - 2010	01
429	12601371	01.550		SEAL, ENG OIL CLR INL PIPE (O RING) (PART OF 431) (27.0MM) (Service Lane Part)	A (LNF)	2008 - 2010	01
430	12601372	01.550		SEAL, ENG OIL CLR OTLT PIPE (O RING) (PART OF 431) (21.0MM) (Service Lane Part)	A (LNF)	2008 - 2010	01
431	12639408	01.540		COOLER, ENG OIL (INCLS 429,430,432) (ACDelco #12639408) (Service Lane Part)	A (LNF)	2008 - 2009	01
432	11589236	08.900		BOLT, HFH, M8X1.25X30.7, 20.7 THD, 17 OD, 8.8 STL, GMW3359 (PART OF 431) (Service Lane Part)		2008 - 2010	03

							y
700	12635992	01.800		SWITCH, ENG OIL PRESS (USE T/W MATING CONN 12085500 1 WAY FEMALE W/LEADS) (ACDelco #D1849A) (Service Lane Part)	A	2008 - 2010	01
902	11519133	08.900		BOLT, SELF TAP,M6X1X20,13.2 O.D. (PART OF 400) (Service Lane Part)		2008 - 2010	05
903	12578196	01.430		BAFFLE, OIL PAN (PART OF 400) (Service Lane Part)	A (LNF)	2008 - 2010	01
904		NS		PIPE, O/PMP SUC (PART OF 400)		2008 - 2010	
905	12616850	01.456		SEAL, OIL PAN DRN PLUG (O RING) (PART OF 400,402) (DIA 19.39) (Service Lane Part)	A (LNF)	2008 - 2010	01
906		NS		BOLT, O/PMP SUC PIPE (PART OF 400)		2008 - 2010	
907		NS		PLUG, OIL PAN HOLE (PART OF 400)		2008 - 2010	
908	12345382	08.800		COMPOUND, ADHESIVE/SEALANT,T HREAD,MED STRENGTH, (6ML) (PART OF 400) (ACDelco #10-1009)		2008 - 2010	AR
909	12378521	08.800		SEALANT, RTV ENGINE SILICONE 5.3OZ CART (SEALER,OIL PAN) (ACDelco #10-2010)		2008 - 2010	AR
910	12790785	01.540		PIPE, ENG OIL CLR INL (INCLS 911) (1.130) (Service Lane Part)	A (LNF)	2008 - 2010	01
911		NS		SEAL, ENG OIL CLR INL PIPE (O RING) (PART OF 910)		2008 - 2010	

C - Chevrolet >2009 >A - 1A1 - Cobalt >00 - 4-CYLINDER ENGINE >(2M00-019) 2008-2010 AP ENGINE ASM-2.0L L4 PART 6 INTAKE MANIFOLD & FUEL RELATED PARTS (LNF/2.0X) >

2M00-019 05/19/2011



Make: Chevrolet

Year: 2009

Model: Cobalt

C - Chevrolet >2009 >A - 1A1 - Cobalt >00 - 4-CYLINDER ENGINE >(2M00-019) 2008-2010 AP ENGINE ASM-2.0L L4 PART 6 INTAKE
MANIFOLD & FUEL RELATED PARTS (LNF/2.0X) >

Call	Part #	Group	H	Description	Usage	Year	Qty
500	12633917	03.901		GASKET, F/PMP BRKT (PART OF 504) (Service Lane Part)	A (LNF)	2008 - 2010	01
501		NS		RAIL, DIR F/INJN FUEL (SEE GROUP 03.000 "FUEL INJECTOR RAIL" FOR DETAILED ILLUSTRATED VIEW)		2008 - 2010	
502	11588728	03.330		BOLT, F/INJN FUEL RL (M8X1.25X50 OD-8.8) (REDUCED BODY) (3.671) (Service Lane Part)	A (LNF)	2008 - 2010	04
503	12600313	03.904		SEAL, F/PMP HSG (O RING) (PART OF 504) (ACDelco #G43) (Service Lane Part)	A (LNF,MU3)	2008 - 2010	01
504	12658478	03.900		PUMP, FUEL (INCLS 500,503,505,900) (SEE GROUP 03.000 "FUEL SUPPLY SYSTEM- FRONT" FOR DETAILED ILLUSTRATED VIEW) (HIGH PRESSURE) (ACDelco #HPM1005) (Service Lane Part)	A (LNF)	2008 - 2009	01
505	11562426	08.900		BOLT, HFH,M6X1X25,18 THD,14.2 OD, 10.9 STL GMW3359 (PART OF 504) (Service Lane Part)		2008 - 2010	02
506	12633550	03.910		COVER, F/PMP (Service Lane Part)	A (LNF)	2008 - 2009	01
507	11588712	08.900		BOLT, HFH,M6X1X20,17.5 THD,14.2 O.D.,8.8, GMW3359 (F/PMP SHLD) (Service Lane Part)		2008 - 2010	03
508	12610638	03.330		SHIELD, F/INJN FUEL RL NOISE (Service	A (LNF)	2008 - 2010	01

							y
509	12628069	03.904		INSULATOR, F/PMP (Service Lane Part)	A (LNF)	2008 - 2010	01
510	11589241	08.900		BOLT, HFH,M6X1X20,17.5 THD,14.2 O.D.,8.8, GMW3359 (PART OF 513) (Service Lane Part)		2008 - 2010	02
511	12592016	03.682		SENSOR, MAP (PART OF 513) (INCLS 512) (ACDelco #213-3843) (Service Lane Part)	A (LNF)	2008 - 2010	01
512		NS		SEAL, MAP SEN (PART OF 511,513)		2008 - 2010	
513	12616667	03.265		MANIFOLD, INT (INCLS 510-512,514,518- 521,528-531) (Service Lane Part)	A (LNF)	2008 - 2010	01
514	24504220	04.931		FITTING, P/B BOOS VAC PIPE (PART OF 513) (STRAIGHT) (ACCEPTS 13.0MM PIPE) (Service Lane Part)	A (LNF)	2008 - 2010	01
515	12606941	03.265		BRACE, INT MANIF (Service Lane Part)	A (LNF)	2008 - 2010	01
516	11588723	08.900		BOLT, HFH, M8X1.25X25, 18 THD, 18 OD, 8.8 STL, GMW3359, M-PT (INT MANIF BR) (Service Lane Part)		2008 - 2010	01
517	11589054	08.981		STUD, STRAIGHT, M8X1.25X20, M8X1.25X16,W/ADH GM6175M,10.9,GM7111 M,HDR (INT MANIF BR) (Service Lane Part)		2008 - 2010	01
518	11588717	03.336		BOLT, THROT BODY (PART OF 513) (M6X1X45) (2.383) (Service Lane Part)	A (LNF)	2008 - 2010	04
519	12631187	03.335		BODY, THROT (W/THROT ACTR) (PART OF 513) (USE T/W MATING CONN 13584095) (ACDelco #217-3429) (Service	A (LNF)	2008 - 2010	01

							y
520	12589416	03.336		SEAL, THROT BODY (PART OF 513) (ACDelco #217-2890) (Service Lane Part)	A (LNF)	2008 - 2010	01
521	11562199	03.275		BOLT, INT MANIF (PART OF 513) (M8X1.25X33.9) (8.900) (Service Lane Part)	A (LNF)	2008 - 2010	05
522	92151160	03.373		CLAMP, CHRGR AIR BYPASS VLV HOSE (PART OF 526,912) (3.330) (Service Lane Part)	A (LNF)	2008 - 2010	04
523		NS		TUBE, CHRGR AIR BYPASS VLV VAC TK (PART OF 903)		2008 - 2010	
524	11588712	08.900		BOLT, HFH,M6X1X20,17.5 THD,14.2 O.D.,8.8, GMW3359 (CHRGR AIR BYPASS REG SOL VLV) (Service Lane Part)		2008 - 2010	02
525	12633411	03.373		SOLENOID, CHRGR AIR BYPASS VLV (T/W MATING CONN 19115592)	A (LNF)	2008 - 2009	01
526	12632187	03.373		TUBE, CHRGR AIR BYPASS VLV (INCLS 522) (640MM IN LENGTH)	A (LNF)	2009 - 2010	01
527	92151160	03.373		CLAMP, CHRGR AIR BYPASS VLV HOSE (PART OF 903) (3.330) (Service Lane Part)	A (LNF)	2008 - 2010	04
528	12589366	03.270		GASKET, INT MANIF (PART OF 513) (ACDelco #12589366) (Service Lane Part)	A (LNF)	2008 - 2010	01
529	12589440	01.745		VALVE, PCV (PART OF 513) (ACDelco #12589440) (Service Lane Part)	A (LNF)	2008 - 2010	01
530	11589241	08.900		BOLT, HFH,M6X1X20,17.5 THD,14.2 O.D.,8.8, GMW3359 (PART OF 513) (Service Lane		2008 - 2010	01

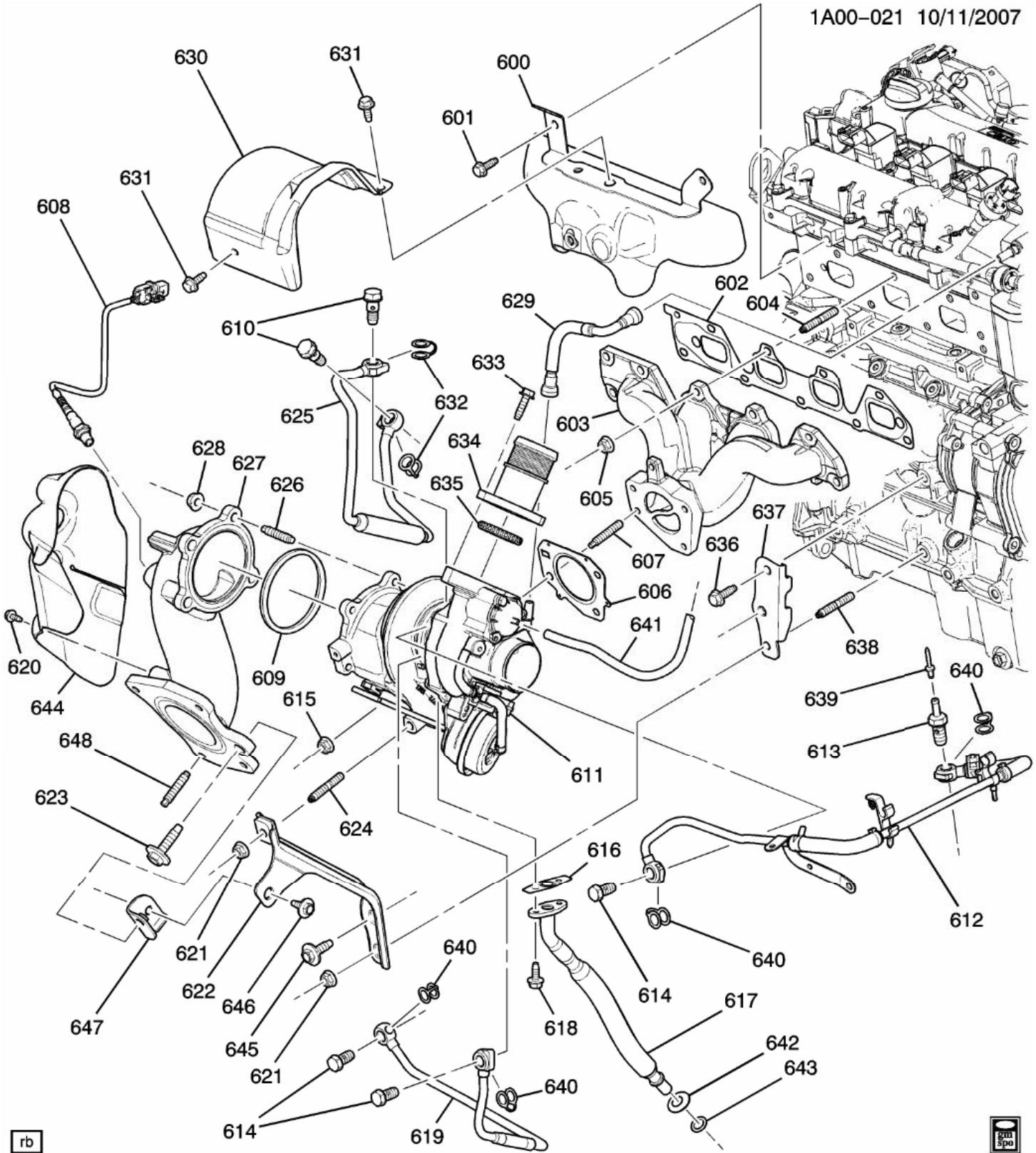
							y
531	12592015	03.130		VALVE, EVAP EMIS CNSTR PURGE SOL (PART OF 513) (PURGE SOLENOID ONLY; USE T/W MATING CONN 13585860) (ACDelco #214-1473) (Service Lane Part)	A (LNF)	2008 - 2009	01
532	12590679	00.480		FOLLOWER, VLV LFTR (FUEL PUMP) (Service Lane Part)	A (LNF)	2008 - 2010	01
533	11516076	08.917		NUT, PREVAILING TORQUE TENSION FLG HD (M8X1.25X17.4 OD (VAC PUMP) (Service Lane Part)		2008 - 2010	01
534	12636128	03.163		PIPE, FUEL FEED (INCLS 909,910) (AT ENGINE) (PART MUST BE REPLACED ONCE REMOVED) (ACDelco #12636128) (Service Lane Part)	A (LNF)	2008 - 2010	01
535	11516076	08.917		NUT, PREVAILING TORQUE TENSION FLG HD (M8X1.25X17.4 OD (INT MANIF) (Service Lane Part)		2008 - 2010	02
536	11589054	08.981		STUD, STRAIGHT, M8X1.25X20, M8X1.25X16,W/ADH GM6175M,10.9,GM7111 M,HDR (INT MANIF) (Service Lane Part)		2008 - 2010	02
537	12615401	03.163		PIPE, FUEL FEED INTER (PART MUST BE REPLACED ONCE REMOVED) (ACDelco #12615401) (Service Lane Part)	A (LNF)	2008 - 2010	01
900	12610684	03.901		RETAINER, F/PMP BOLT (PART OF 504) (Service Lane Part)	A (LNF)	2008 - 2010	02

							y
901		NS		CONNECTOR, CHRG AIR BYPASS VLV VAC TK TUBE (PART OF 903)		2008 - 2010	
902		NS		CONNECTOR, CHRG AIR BYPASS VLV VAC TK TUBE (PART OF 903)		2008 - 2010	
903	12653856	03.342		TANK, CHRG AIR BYPASS VLV VAC (INCLS 523,527,901,902,904-907)	A (LNF)	2008 - 2010	01
904		NS		TUBE, CHRG AIR BYPASS VLV VAC TK (PART OF 903)		2008 - 2010	
905	11570143	03.373		BOLT, CHRG AIR BYPASS VLV VAC TK (PART OF 903) (0.206) (Service Lane Part)	A (LNF)	2008 - 2010	02
906	03545602	03.373		BOLT, CHRG AIR BYPASS VLV VAC TK BRKT (PART OF 903) (M10X1.5X31) (7.242) (Service Lane Part)	A (LNF)	2008 - 2010	01
907		NS		BRACKET, CHRG AIR BYPASS VLV VAC TK (PART OF 903)		2008 - 2010	
908		NS		CONNECTOR, CHRG AIR BYPASS VLV VAC TK TUBE		2008 - 2010	
909		03.330		VALVE, FUEL PRESS SERV (PART OF 534)		2008 - 2010	
910	25532662	03.330		CAP, FUEL PRESS SERV VLV (PART OF 534) (CAP FOR PRESSURE TEST SCHRADER VALVE) (3.163) (ACDelco #214-1044) (Service Lane Part)	A	2008 - 2010	01
911	11588712	08.900		BOLT, HFH,M6X1X20,17.5 THD,14.2 O.D.,8.8, GMW3359 (FUEL FEED PIPE) (Service Lane Part)		2008 - 2010	01

							y
912	12599820	03.373		TUBE, CHRGR AIR BYPASS VLV (INCLS 522) (CUT TO LGTH) (ADD TIE STRAP FOR SPPRT AS REQD) (770MM IN LGTH)	A (LNF)	2008 - 2010	02

C - Chevrolet >2009 >A - 1A1 - Cobalt >00 - 4-CYLINDER ENGINE >(1A00-021) 2008-2010 AP ENGINE ASM-2.0L L4 PART 7 EXHAUST MANIFOLD & TURBOCHARGER (LNF/2.0X) >

1A00-021 10/11/2007



rb



Make: Chevrolet

Year: 2009

Model: Cobalt

C - Chevrolet >2009 >A - 1A1 - Cobalt >00 - 4-CYLINDER ENGINE >(1A00-021) 2008-2010 AP ENGINE ASM-2.0L L4 PART 7 EXHAUST MANIFOLD & TURBOCHARGER (LNF/2.0X) >

Call	Part #	Group	H	Description	Usage	Year	Qty
600	12612286	03.602		SHIELD, EXH MANIF UPR HT	A (LNF)	2008 - 2010	01
601	11588723	08.900		BOLT, HFH, M8X1.25X25, 18 THD, 18 OD, 8.8 STL, GMW3359, M-PT (EXH MANIF H/SHLD) (Service Lane Part)		2008 - 2010	03
602	12622668	03.270		GASKET, EXH MANIF (WITH SECONDARY AIR INJECTION) (Service Lane Part)	A (LNF)	2009 - 2010	01
603	12602397	03.601		MANIFOLD, EXH (Service Lane Part)	A (LNF)	2008 - 2010	01
604	11589054	08.981		STUD, STRAIGHT, M8X1.25X20, M8X1.25X16,W/ADH GM6175M,10.9,GM7111 M,HDR (EXH MANIF) (Service Lane Part)		2008 - 2010	10
605	11609746	08.917		NUT, HFH,M8X1.25,8.9THK,1 7.6 O.D.,10 STL,GMW3200, PREV TORQUE (EXH MANIF) (Service Lane Part)		2008 - 2010	10
606	12618586	03.342		GASKET, TURBO	A (LNF)	2008 - 2010	01
607	11609953	03.275		STUD, EXH MANIF (M8X1.25X11.5,M8X1.2 5X24,46 TL,STAINLESS) (Service Lane Part)	A (LNF)	2008 - 2010	04
608	12589380	03.682		SENSOR, HTD OXY (POSN 1) (ACDelco #213-3844) (Service Lane Part)	A (LNF)	2008 - 2010	01
609	12609878	03.611		GASKET, TURBO EXH PIPE (GROOVED RING STYLE)	A (LNF)	2008 - 2010	01
610	11561946	03.358		BOLT, TURBO OIL FEED PIPE (PART OF 625)	A (LNF)	2008 - 2010	02

							y
611	12658317	03.342		TURBOCHARGER, ENG (WHEN USING TURBOCHARGER 12643932,2009 OR LTR DES,ON 2008 OR EARLIER VEHS,IT MAY BE NECESSARY TO REPL OIL FEED PIPE 12622404 W/2009 & LTR OIL FEED) (SEE GROUP 03.000 "TURBOCHARGER ASM" FOR DETAILED ILLUSTRATED VIEW) (PIPE 12625383)	A (LNF)	2008 - 2010	01
612	12625357	03.374		PIPE, TURBO COOL FEED (INCLS 613,614,640) (SEE GROUP 03.000 "TURBOCHARGER COOLER PIPES" FOR DETAILED ILLUSTRATED VIEW)	A (LNF)	2008 - 2010	01
613	12593792	03.358		FITTING, TURBO COOL FEED PIPE (PART OF 612)	A (LNF)	2008 - 2010	01
614	11561875	03.374		BOLT, TURBO COOL FEED & RTN PIPE (PART OF 612,619)	A (LNF)	2008 - 2010	03
615	11588835	08.915		NUT, HFH, M8X1.25, 10 THK, 17.6 OD, 409CB, M6340 (TURBO) (Service Lane Part)		2008 - 2010	04
616	12589435	03.358		GASKET, TURBO OIL RTN HOSE CONN (PART OF 617) (ACDelco #12589435)	A (LNF)	2008 - 2010	01
617	12612815	03.358		HOSE, TURBO OIL RTN (INCLS 616,618,642,643)	A (LNF)	2008 - 2010	01
618	11588711	08.900		BOLT, HFH,M6X1X16, 10 THD, 14.2 OD, 8.8 STL, GMW3359 (PART OF 617) (Service Lane Part)		2008 - 2010	02
619	12618973	03.374		PIPE, TURBO COOL RTN (INCLS 614,640)	A (LNF)	2008 - 2010	01

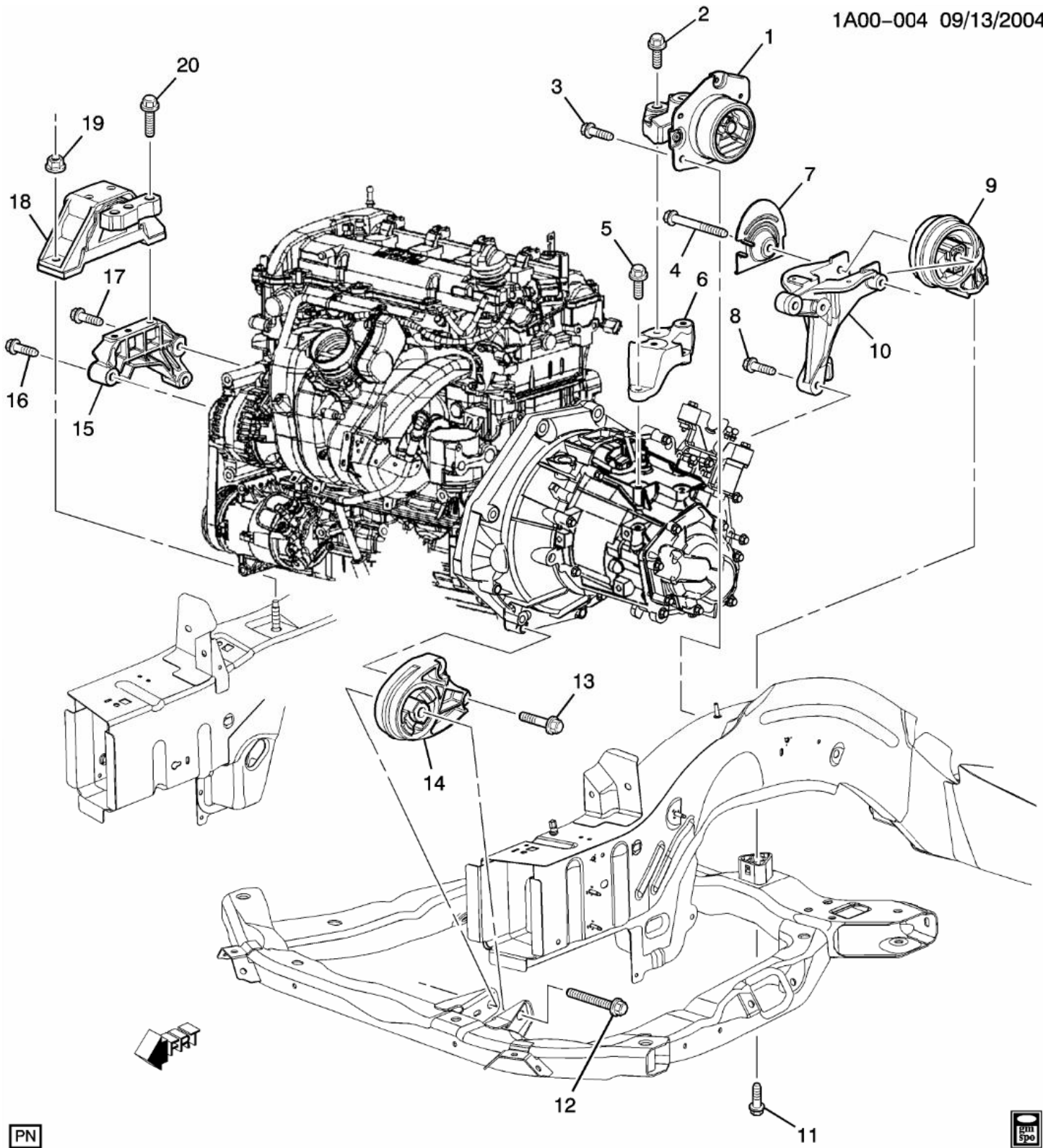
							y
620	11588711	08.900		BOLT, HFH,M6X1X16, 10 THD, 14.2 OD, 8.8 STL, GMW3359 (TURBO EXH PIPE H/SHLD) (Service Lane Part)		2008 - 2010	03
621	15032594	03.342		NUT, TURBO BR (HEX M10X1.5) (ATTACH EXH MANIFOLD PIPE) (3.613)	A (LNF)	2008 - 2010	01
622	12609376	03.342		BRACE, TURBO BRKT (INCLS 646,647) (Service Lane Part)	A (LNF)	2008 - 2010	01
623	11589407	08.900		BOLT, HWH, M8X1.25X35, 23.5 THD, 24 OD, 10.9, GMW3359, M-PT. (TURBO EXH PIPE) (Service Lane Part)		2008 - 2010	01
624	11609870	03.342		STUD, TURBO BRKT BRKT (M10X1.5X20.25,M10X1 .5X14.75) (3.613)	A (LNF)	2008 - 2010	04
625	12654315	03.358		PIPE, TURBO OIL FEED (INCLS 610,632)	A (LNF)	2009 - 2010	01
626	11609870	03.613		STUD, TURBO EXH PIPE (M10X1.5X20.25,M10X1 .5X14.75)	A (LNF)	2008 - 2010	04
627	12600895	03.603		ELBOW, TURBO EXH PIPE (INCLS 648) (Service Lane Part)	A (LNF)	2008 - 2010	01
628	15032594	03.613		NUT, TURBO EXH PIPE (HEX M10X1.5) (ATTACH EXH MANIFOLD PIPE)	A (LNF)	2008 - 2010	04
629	12606566	01.762		HOSE, PCV (Service Lane Part)	A (LNF)	2008 - 2010	01
630	12589408	03.342		SHIELD, TURBO HT	A (LNF)	2008 - 2010	01
631	11588711	08.900		BOLT, HFH,M6X1X16, 10 THD, 14.2 OD, 8.8 STL, GMW3359 (TURBO H/SHLD) (Service Lane Part)		2008 - 2010	03
632	12611119	03.358		GASKET, TURBO OIL FEED PIPE (PART OF 625) (ACDelco #12611119)	A (LNF)	2008 - 2010	02

							y
633	11900254	08.900		BOLT, HFH,M8X1.25X29, 19 THD, 18 OD, 8.8, GMW3359, M-POINT (PART OF 634) (Service Lane Part)		2008 - 2010	02
634	12628273	03.373		PIPE, CHRGR AIR CLR COOL (INCLS 633,635)	A (LNF)	2008 - 2010	01
635	12595593	03.373		SEAL, CHRGR AIR CLR COOL PIPE (O-RING) (PART OF 634)	A (LNF)	2008 - 2010	01
636	11589165	08.900		BOLT, HEX W/CON WA,M10X1.5X34.8,22 THD,28 OD,10.9, GMW3359, M-PT (TURBO BR) (Service Lane Part)		2008 - 2010	01
637	12611448	03.342		BRACE, TURBO	A (LNF)	2008 - 2010	01
638	11609870	03.342		STUD, TURBO BRKT BRKT (M10X1.5X20.25,M10X1 .5X14.75) (3.613)	A (LNF)	2008 - 2010	04
639	09418068	DISCON		RIVET, DOME HD BLIND TYPE .125 .357 (TURBO COOL FEED HOSE)		2008 - 2010	01
640	12626102	03.374		GASKET, TURBO COOL FEED & RTN PIPE (PART OF 612,619) (BLOCK SIDE GASKET)	A (LNF)	2008 - 2010	02
641		03.373		TUBE, CHRGR AIR BYPASS VLV VAC TK (SEE GROUP 00.000 "INTAKE MANIFOLD & FUEL RELATED PARTS" FOR DETAILED ILLUSTRATED VIEW) (CUT TO LGTH) (ADD TIE STRAP FOR SPPRT AS REQD) (770MM IN LGTH)		2008 - 2010	
642	12612817	03.341		SEAL, TURBO TUBE (PART OF 617) (Service Lane Part)	A (LNF)	2008 - 2010	01

							y
643	12612816	03.358		SEAL, TURBO OIL RTN PIPE (O RING) (PART OF 617) (O-RING 27.5MM FROM BLK END.)	A (LNF)	2008 - 2010	01
644	12600896	03.616		SHIELD, TURBO EXH PIPE HT	A (LNF)	2008 - 2010	01
645	11588564	08.900		BOLT, HEX W/FL WA,M8X1.25X25,15.85 THD,17 OD,9.8,GMW3200M,MA CH,MAT-PT (TURBO BR) (Service Lane Part)		2008 - 2010	01
646	11519387	08.900		BOLT, HWASH,M8X1.25X20,1 4 THD,24 OD,GMW25 (8.8)STEEL,GMW3359, M-POINT. (PART OF 622) (Service Lane Part)		2008 - 2010	01
647		NS		BRACKET, TURBO EXH PIPE ADAP (PART OF 622)		2008 - 2010	
648	11609870	03.613		STUD, TURBO EXH PIPE (PART OF 627) (M10X1.5X20.25,M10X1 .5X14.75)	A (LNF)	2008 - 2010	04

C - Chevrolet >2009 >A - 1A1 - Cobalt >00 - 4-CYLINDER ENGINE >(1A00-004) 2008-2010 AP ENGINE & TRANSMISSION MOUNTING-L4 (LNF/2.0X, MANUAL MU3) >

1A00-004 09/13/2004



Make: Chevrolet

Year: 2009

Model: Cobalt

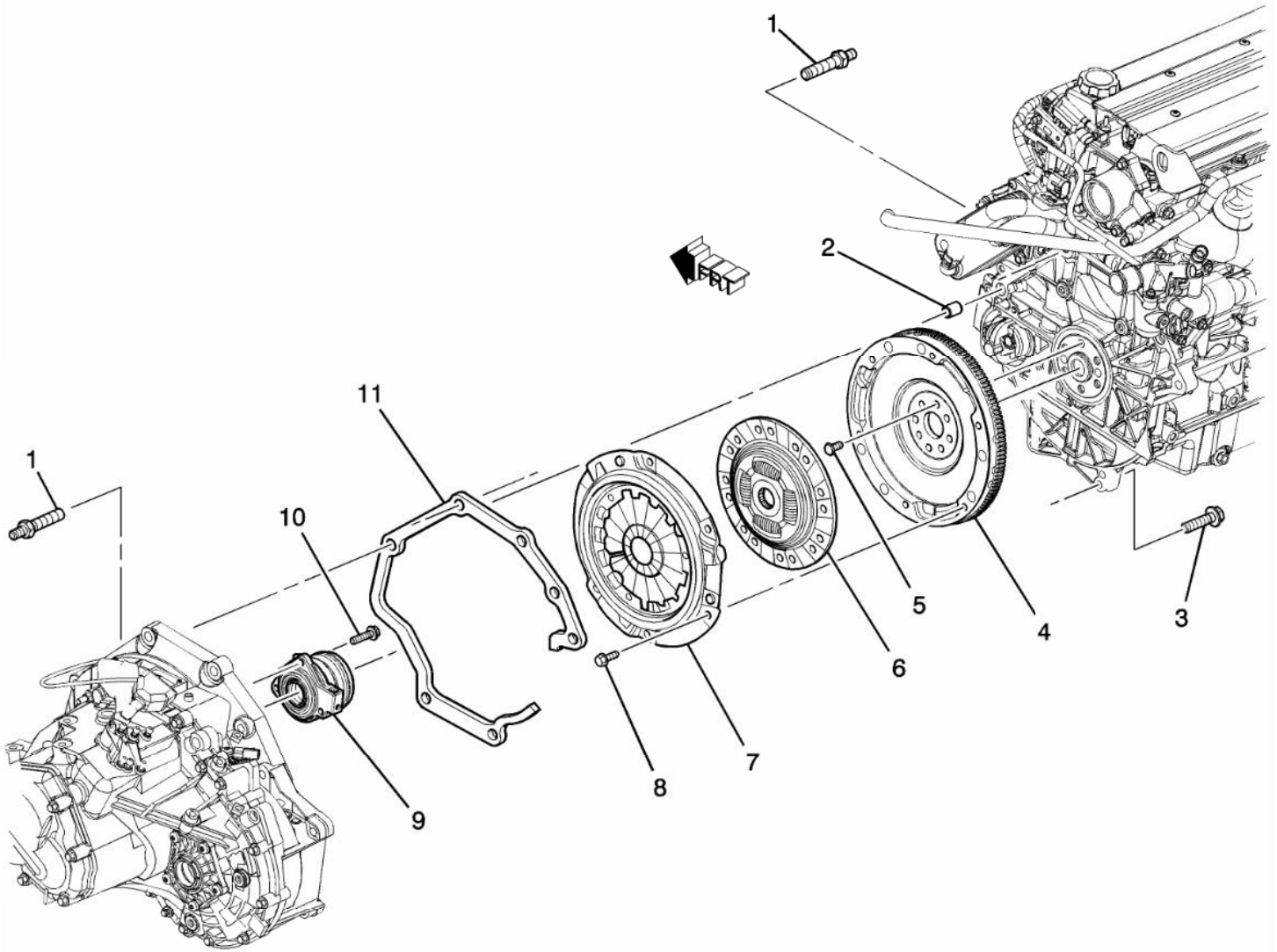
C - Chevrolet >2009 >A - 1A1 - Cobalt >00 - 4-CYLINDER ENGINE >(1A00-004) 2008-2010 AP ENGINE & TRANSMISSION MOUNTING-L4 (LNF/2.0X, MANUAL MU3) >

Call	Part #	Group	H	Description	Usage	Year	Qty
1	25829028	04.081		MOUNT, TRANS (WHITE) (Service Lane Part)	A (MU3)	2005 - 2010	01
2	11570514	00.002		BOLT, TRANS MT TRANS SI BRKT (Service Lane Part)		2005 - 2010	03
3	11519208	08.900		BOLT, WASHER,M8X1.25X50, 36 THD,24 OD,10.9,7114M,9MM DOG PT. (TRANS MT BR) (Service Lane Part)		2005 - 2010	04
4	11519207	04.085		BOLT, TRANS RR MT (Service Lane Part)	A	2005 - 2010	01
4	11519207	04.085		BOLT, TRANS RR MT (Service Lane Part)	A	2005 - 2010	01
5	11519348	08.900		BOLT, HFH,M10X1.5X41.35,29 .2 THD,22.3 OD,10.9,GMW3359 (TRANS MT ADAP) (Service Lane Part)		2005 - 2010	03
6	25827450	04.083		ADAPTER, TRANS MT (Service Lane Part)	A (LNF,MU3)	2008 - 2010	01
7	15926212	04.081		SHIELD, TRANS RR MT HT (Service Lane Part)	A (MU3)	2009 - 2010	01
8	11570514	00.002		BOLT, TRANS RR MT BRKT (Service Lane Part)		2005 - 2010	03
9	15945572	04.081		MOUNT, TRANS RR (WHITE) (Service Lane Part)	A (LNF,MU3)	2008 - 2009	01
User Note: Relaced by 20814995							
10	15816119	04.083		BRACKET, TRANS RR MT (Service Lane Part)	A (LNF,MU3)	2008 - 2010	01
11	11589033	04.083		BOLT, TRANS RR MT BRKT (TO CRADLE) (Service Lane Part)	A	2005 - 2010	03
11	11589033	04.083		BOLT, TRANS RR MT BRKT (TO CRADLE) (Service Lane Part)	A	2005 - 2010	03

							y
12	11519898	04.085		BOLT, TRANS FRT MT (THROUGH BOLT) (Service Lane Part)	A	2005 - 2010	01
12	11519898	04.085		BOLT, TRANS FRT MT (THROUGH BOLT) (Service Lane Part)	A	2005 - 2010	01
13	11515781	08.900		BOLT, METRIC HEAVY HEX FLANGE HEAD REDUCED, M12X1.75X60 (TRANS FRT MT BRKT) (Service Lane Part)		2005 - 2010	02
14	20814994	04.081		MOUNT, TRANS FRT (WHITE) (Service Lane Part)	AP (LNF,MU3)	2008 - 2010	01
15	15854396	00.029		ADAPTER, ENG MT BRKT (Service Lane Part)	A	2005 - 2010	01
16	11514280	08.900		BOLT, HFH,M12X1.75X65,30 THD,10.9,POR (ENG MT ADAP) (Service Lane Part)		2005 - 2010	02
17	11516330	08.900		BOLT, HFH,M12X1.75X40,33.8 5 THD,26.6 OD,10.9,7114M,MACH, HDR-PT (ENG MT ADAP) (Service Lane Part)		2005 - 2010	01
18	25974060	00.027		MOUNT, ENG (WHITE) (Service Lane Part)	A (LNF,MU3)	2008 - 2010	01
19	03537772	08.900		NUT, M12X1.75,10.6THK,28 O.D.,10,7111M (ENG MT BRKT BR) (8.917) (Service Lane Part)		2005 - 2010	02
20	11570514	00.002		BOLT, ENG MT BRKT (Service Lane Part)		2005 - 2010	03

C - Chevrolet >2009 >A - 1A1 - Cobalt >00 - 4-CYLINDER ENGINE >(1A00-020) 2008-2010 AP CLUTCH (LNF/2.0X, MU3) >

1A00-020 04/30/2010



Make: Chevrolet

Year: 2009

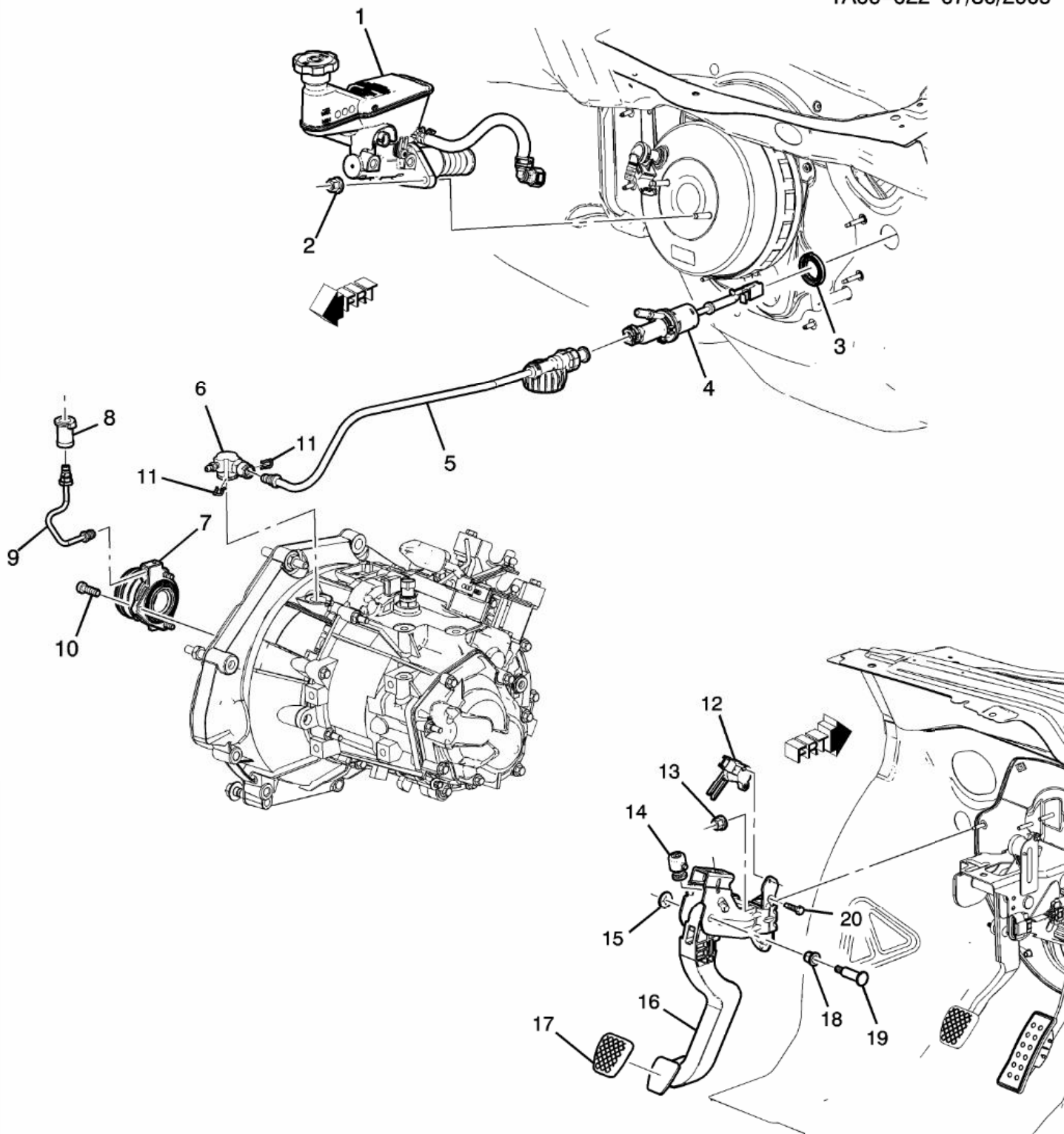
Model: Cobalt

C - Chevrolet >2009 >A - 1A1 - Cobalt >00 - 4-CYLINDER ENGINE >(1A00-020) 2008-2010 AP CLUTCH (LNF/2.0X, MU3) >

Call	Part #	Group	H	Description	Usage	Year	Qty
1	11561232	04.085		STUD, TRANSAXLE (POSN 1&2) (M10X1.5X20,M12X1.75 X55) (Service Lane Part)	A (MU3)	2008 - 2010	02
2	90351708	00.685		PIN, TRANS LOC (18.5MM OD X12MM LONG) (0.219) (Service Lane Part)	A	2008 - 2010	02
3	11516331	08.900		BOLT, METRIC HVY HFH (M12X1.75X50) (PZOR) (TRANSAXLE) (Service Lane Part)		2008 - 2010	04
4	12612794	00.666		FLYWHEEL, ENG (Service Lane Part)	A (LNF,MU3)	2008 - 2010	01
5	11570626	00.669		BOLT, FLYWHL (M10X1.25X23.5) (Service Lane Part)	A (LNF,MU3)	2008 - 2010	08
6	24239997	00.886		PLATE, CLU DRVN (PART OF 7) (Service Lane Part)	A (MU3)	2008 - 2010	01
7	24239996	00.859		PLATE KIT, CLU PRESS & DRVN (W/ CVR) (INCLS 6) (Service Lane Part)	A (MU3)	2008 - 2010	01
8	11570368	00.862		BOLT, CLU PRESS PLT (M8X1.25X16) (Service Lane Part)	A (LNF,MU3)	2008 - 2010	06
9	24242805	00.780		CYLINDER, CLU ACTR (Service Lane Part)	A (LNF,MU3)	2008 - 2010	01
10	90541173	00.780		BOLT, CLU ACTR CYL (Service Lane Part)	A (MU3)	2008 - 2010	03
11	12583853	04.085		SPACER, TRANSAXLE (Service Lane Part)	A (LNF,MU3)	2008 - 2010	01

C - Chevrolet >2009 >A - 1A1 - Cobalt >00 - 4-CYLINDER ENGINE >(1A00-022) 2008-2010 AP CLUTCH PEDAL & CYLINDERS (LNF/2.OX, MU3) >

1A00-022 07/30/2009



Make: Chevrolet

Year: 2009

Model: Cobalt

C - Chevrolet >2009 >A - 1A1 - Cobalt >00 - 4-CYLINDER ENGINE >(1A00-022) 2008-2010 AP CLUTCH PEDAL & CYLINDERS (LNF/2.0X, MU3) >

Call	Part #	Group	H	Description	Usage	Year	Qty
1	20836832	04.650		CYLINDER, BRK MAS (SEE GROUP 04.000 "BRAKE MASTER CYLINDER" FOR DETAILED ILLUSTRATED VIEW) (ACDelco #174-1198) (Service Lane Part)	AP (MU3,JL4)	2008 - 2010	01
2	11609746	04.662		NUT, BRK M/CYL (M8X1.25,8.9THK) (8.917) (Service Lane Part)	A	2008 - 2010	02
3	19181708	00.775		GASKET, CLU M/CYL (Service Lane Part)	A (M86,MU3)	2008 - 2009	01
4	24246918	00.775		CYLINDER, CLU MAS (Service Lane Part)	A (MU3)	2008 - 2010	01
5	24252285	00.785		HOSE, CLU ACTR CYL (Service Lane Part)	A (LNF,MU3)	2008 - 2010	01
6	24252286	00.785		ELBOW, CLU ACTR CYL PIPE (INCLS 11) (Service Lane Part)	A (MU3)	2008 - 2010	01
7	24242805	00.780		CYLINDER, CLU ACTR (Service Lane Part)	A (LNF,MU3)	2008 - 2010	01
8	90522038	00.785		RETAINER, CLU ACTR CYL PIPE (Service Lane Part)	A (MU3)	2008 - 2010	01
9	24422067	00.785		PIPE, CLU ACTR CYL (INCLS CAP & SEAL) (Service Lane Part)	A (MU3)	2008 - 2010	01
10	90541173	00.780		BOLT, CLU ACTR CYL (Service Lane Part)	A (MU3)	2008 - 2010	03
11	88958853	00.785		CLIP, CLU ACTR CYL PIPE (PART OF 6) (LENGTH 17.5MM) (Service Lane Part)	A (MU3)	2008 - 2010	01
12	13583976	00.830		SENSOR, CLU PED POSN (PART OF 16) (AT BRK PED) (4.625) (ACDelco #13583976) (Service Lane Part)	A (MU3)	2008 - 2009	01

							y
13	11514517	08.917		NUT, HEX,W/CON SPR WA,M6X1,5.7THK,18 O.D.,9,7111M (CLU PED BRKT) (Service Lane Part)		2008 - 2010	02
14	25861529	00.844		SPRING, CLU PED ASST (PART OF 16) (Service Lane Part)	AP (LNF,MU3)	2008 - 2009	01
15	25861532	00.833		RETAINER, CLU PED PIV NUT (PART OF 16) (Service Lane Part)	AP (LNF,MU3)	2008 - 2009	01
16	15845358	00.830		PEDAL, CLU (W/BRKT) (INCLS 12,14,15,17-20) (Service Lane Part)	AP (LNF,MU3)	2008 - 2009	01
17	22697428	04.630		PAD, CLU PED (PART OF 16) (Service Lane Part)	AP37 (LNF,MU3)	2008 - 2010	01
18		NS		BUSHING, CLU PED PIV (PART OF 16)		2008 - 2010	
19	22688915	00.852		BOLT, CLU LVR PIV (PART OF 16) (0.833) (Service Lane Part)	A (MU3)	2008 - 2010	01
20	11609999	08.900		SCREW, HEX HD FL WA,M4X0.7X20,13 THD,12 OD,9.8,GMW3044, W/NYLON (PART OF 16) (Service Lane Part)		2008 - 2010	01