

Fig 1: 2.2L VIN F, A/T Circuit

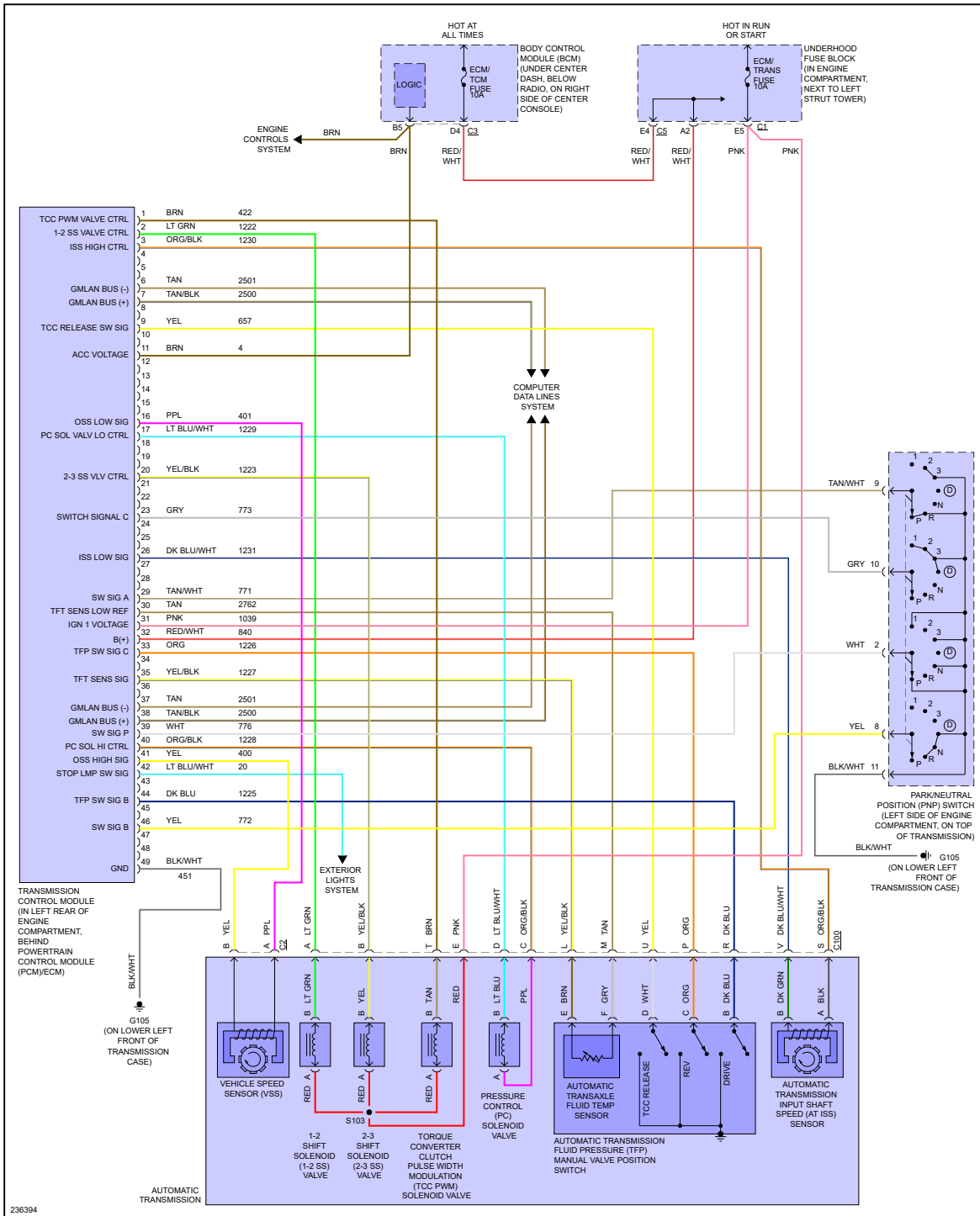


Fig 2: 2.2L VIN F, M/T Circuit

