

EXTERIOR LIGHTS

Fig 1: Backup Lamps Circuit

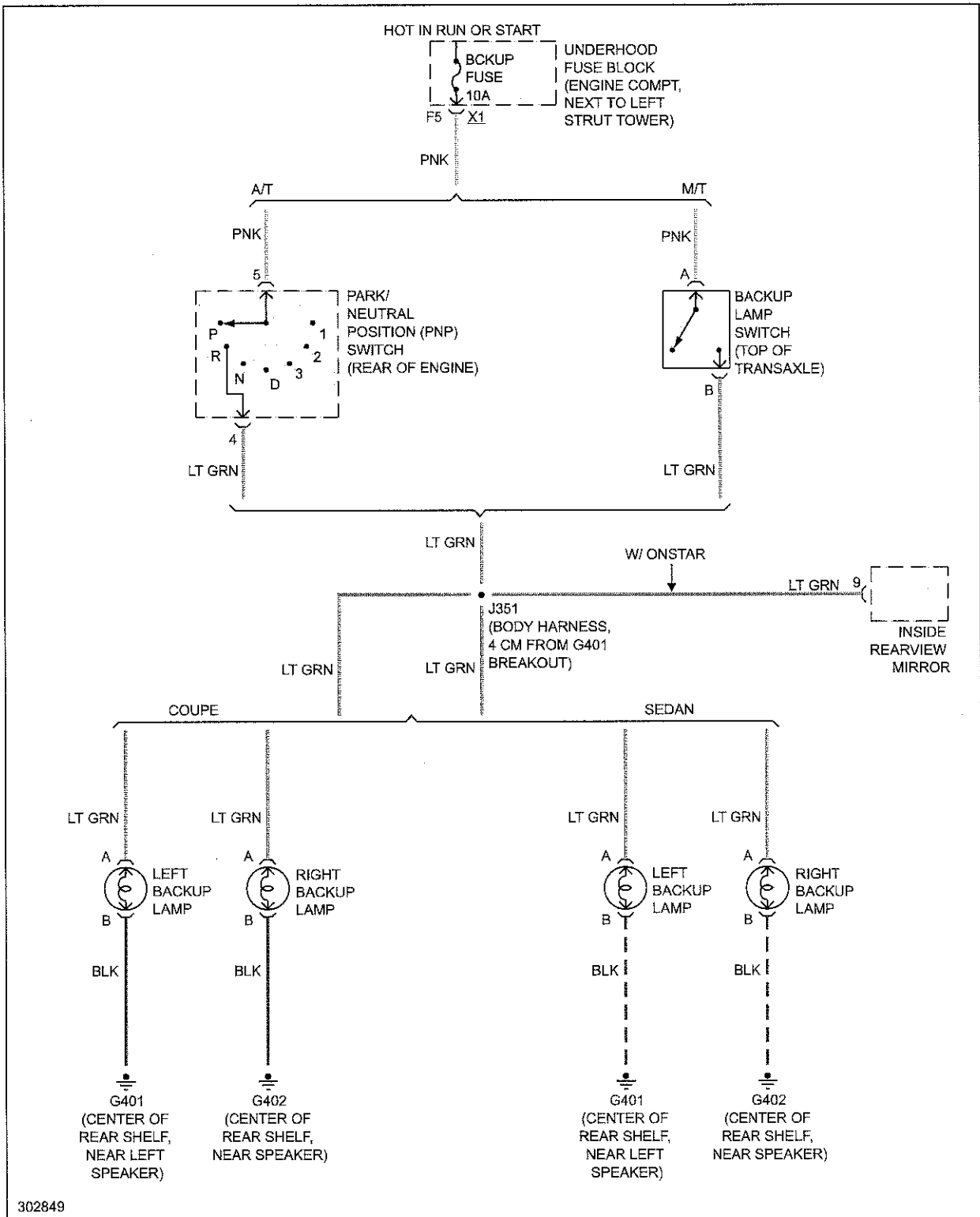


Fig 2: Exterior Lamps Circuit (1 of 2)

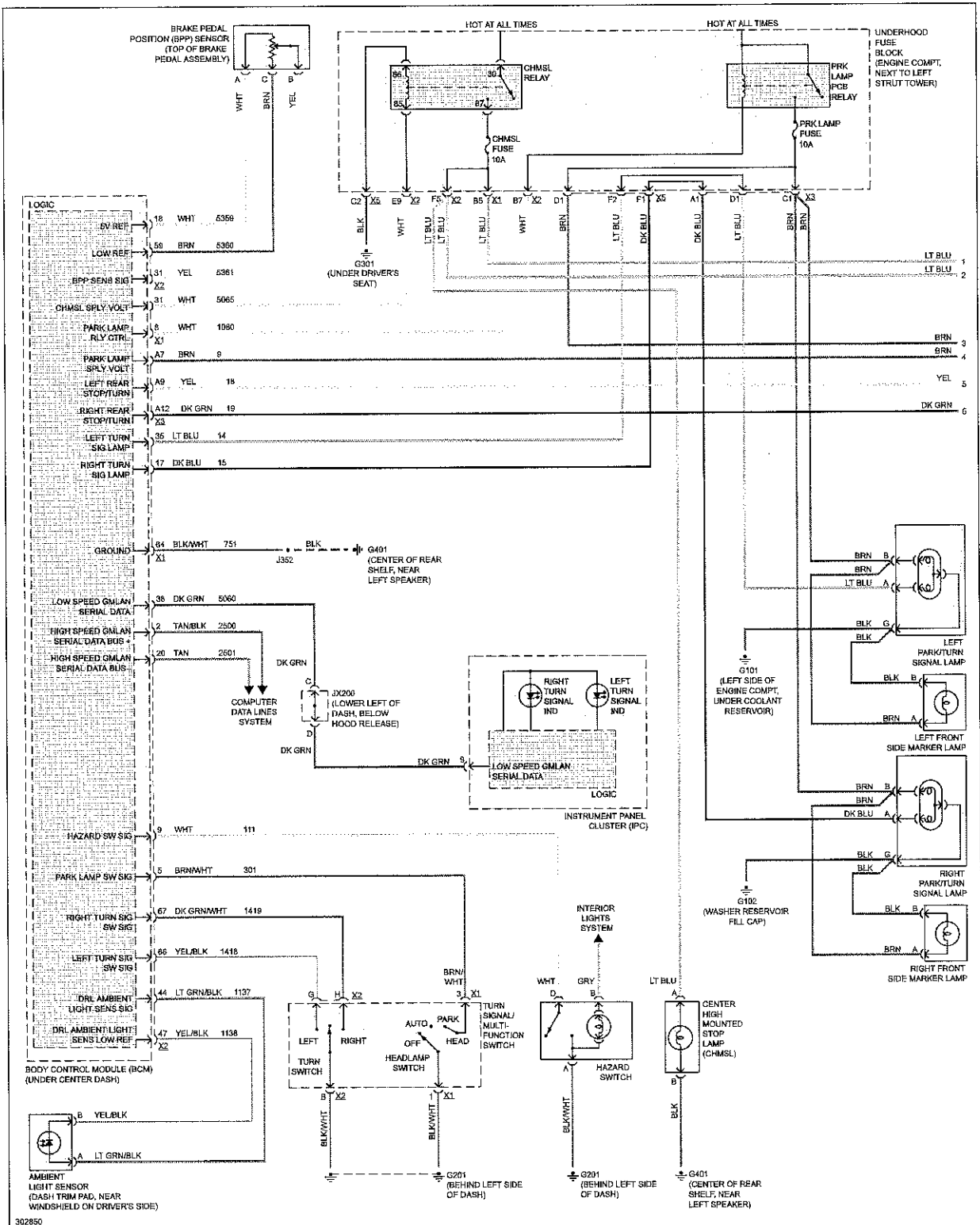


Fig 3: Exterior Lamps Circuit (2 of 2)

